

Sealing cord

DI-SCHN 8 MOS EPDM-20 SL

<https://www.schmalz.com/10.07.04.00005>



Part no.: 10.07.04.00005

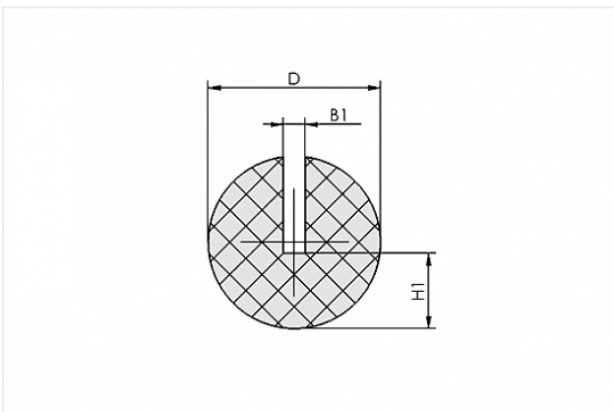
Homepage > Vacuum Technology for Automation > Vacuum Components > Vacuum Suction Cups > Sealing Profiles > Sealing Cords DI-SCHN > DI-SCHN 8 MOS EPDM-20 SL

Sealing cord



External diameter D: 8 mm
Material-Type: Foam rubber
Sealing material: EPDM
Material hardness: 20 °Sh
Shape: with slot

Design Data



Attribute	Value
-----------	-------

B1	1 mm
----	------

D	8 mm
---	------

H1	3.5 mm
----	--------

Technical Data

Attribute	Value
-----------	-------

for slot	8 x 5.6
----------	---------

Contact to Schmalz

J. Schmalz GmbH | Johannes-Schmalz-Straße, 72293 Glatten, Deutschland | +49 7443 2403-102 | customercenter@schmalz.de

