

Sealing cord

DI-SCHN 6 MOS EPDM-20

<https://www.schmalz.com/10.07.04.00001>



Part no.: 10.07.04.00001

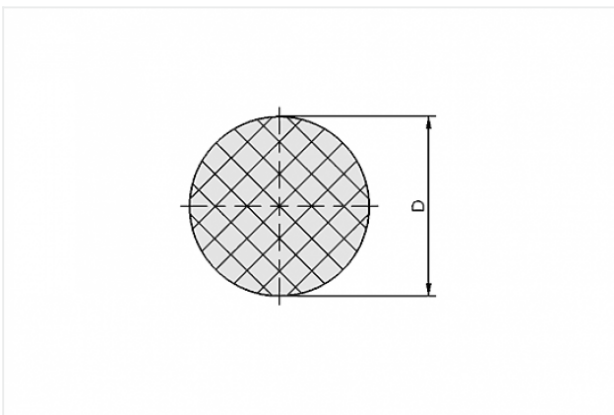
Homepage > Vacuum Technology for Automation > Vacuum Components > Vacuum Suction Cups > Sealing Profiles > Sealing Cords DI-SCHN > DI-SCHN 6 MOS EPDM-20

Sealing cord



External diameter D: 6 mm
Material-Type: Foam rubber
Sealing material: EPDM
Material hardness: 20 °Sh

Design Data



Attribute	Value
-----------	-------

D	6 mm
---	------

Technical Data

Attribute	Value
-----------	-------

for slot	6 x 4.2
----------	---------

Contact to Schmalz

J. Schmalz GmbH | Johannes-Schmalz-Straße, 72293 Glatten, Deutschland | +49 7443 2403-102 | customercenter@schmalz.de



Contact to Schmalz

J. Schmalz GmbH | Johannes-Schmalz-Straße, 72293 Glatten, Deutschland | +49 7443 2403-102 |
customercenter@schmalz.de