

# Suction plate (round)

## SPL 115 POM-NBR G1/4-IG

Part no.: 10.01.01.13110

<https://www.schmalz.com/10.01.01.13110>



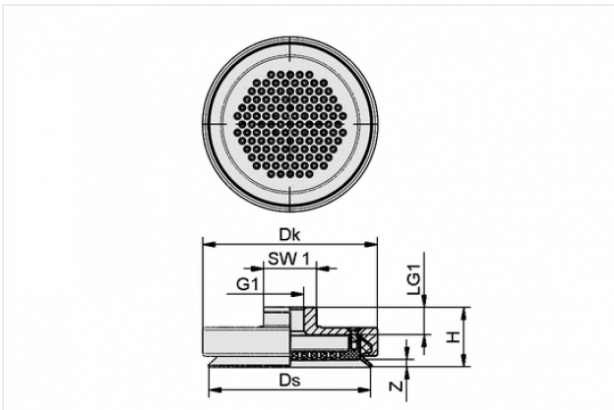
Homepage > Vacuum Technology for Automation > Vacuum Components > SPL 115 POM-NBR G1/4-IG

## Flat suction cup (round)



Size: 115  
Suction cup material:  
Polyoxymethylene - Perbunan  
Vacuum connection: G1/4"-F

## Design Data



Attribute	Value
Dk	118 mm
Ds	113 mm
G1	G1/4"-F
H	30.5 mm
LG1	12 mm
SW1	22 mm
Z	4 mm

## Technical Data

Attribute	Value
Suction force	600 N
Volume	91.2 cm <sup>3</sup>

### Contact to Schmalz

J. Schmalz GmbH | Johannes-Schmalz-Straße, 72293 Glatten, Deutschland | +49 7443 2403-102 | [customercenter@schmalz.de](mailto:customercenter@schmalz.de)



<b>Attribute</b>	<b>Value</b>
Internal hose diameter (recom.)	9 mm
Connection	G1/4"-F
Suction cup material	Polyoxymethylene - Perbunan
Weight	280 g
Product family	SPL

---

---