

# Suction plate (round)

## SPL 40 POM-NBR G1/8-IG

Part no.: 10.01.01.13104

<https://www.schmalz.com/10.01.01.13104>



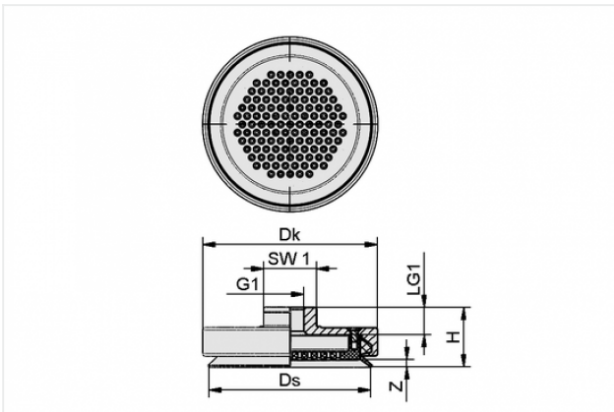
Homepage > Vacuum Technology for Automation > Vacuum Components > SPL 40 POM-NBR G1/8-IG

### Flat suction cup (round)



Size: 40  
Suction cup material:  
Polyoxymethylene - Perbunan  
Vacuum connection: G1/8"-F

### Design Data



Attribute	Value
Dk	42 mm
Ds	39 mm
G1	G1/8"-F
H	20.5 mm
LG1	9.5 mm
SW1	17 mm
Z	2 mm

### Technical Data

Attribute	Value
Suction force	70 N
Volume	4.7 cm <sup>3</sup>

### Contact to Schmalz

J. Schmalz GmbH | Johannes-Schmalz-Straße, 72293 Glatten, Deutschland | +49 7443 2403-102 | [customercenter@schmalz.de](mailto:customercenter@schmalz.de)



<b>Attribute</b>	<b>Value</b>
Internal hose diameter (recom.)	4 mm
Connection	G1/8"-F
Suction cup material	Polyoxymethylene - Perbunan
Weight	28 g
Product family	SPL

---

---