

Sealing ring for SPL suction plate

DR-SPL-HT 140 ST

Part no.: 10.01.23.00018

<https://www.schmalz.com/10.01.23.00018>



Homepage > Vacuum Technology for Automation > Vacuum Components > Vacuum Suction Cups > Suction Cups for High-Temperature

Applications > DR-SPL-HT 140 ST

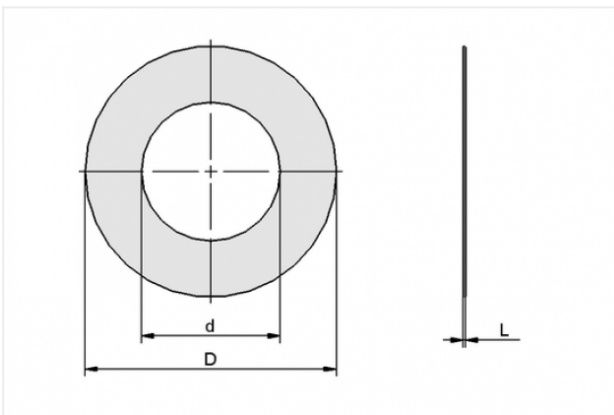
Rubber seal for SPL suction cup



Size: 140

Suction cup material: Silicate fabric

Design Data



Attribute	Value
-----------	-------

d	103 mm
---	--------

D	153 mm
---	--------

L	0.8 mm
---	--------

Technical Data

Attribute	Value
-----------	-------

Size	140
------	-----

Suction cup material	Silicate fabric
----------------------	-----------------

Contact to Schmalz

J. Schmalz GmbH | Johannes-Schmalz-Straße, 72293 Glatten, Deutschland | +49 7443 2403-102 | customercenter@schmalz.de



Attribute	Value
Weight	11.5 g
Product family	DR-SPL-HT
