

Suction plate (round)

SPL-HT 140 ST G3/8-IG

<https://www.schmalz.com/10.01.23.00008>



Part no.: 10.01.23.00008

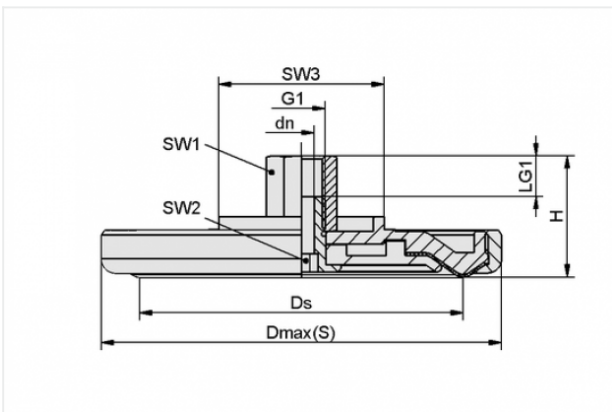
Homepage > Vacuum Technology for Automation > Vacuum Components > Vacuum Suction Cups > Suction Cups for High-Temperature Applications > Suction Plates for High-Temperature SPL-HT > SPL-HT 140 ST G3/8-IG

Suction plate for high-temperature applications



Size: 140
Suction cup material: Silicate fabric
Vacuum connection: G3/8-F
Workpiece temperature max.: 600 °C

Design Data



Attribute	Value
-----------	-------

dn	8 mm
Dmax(S)	159.5 mm
Ds	138 mm
G1	G3/8"-F
H	39 mm
LG1	12 mm
SW1	22 mm
SW2	8 mm
SW3	95 mm

Contact to Schmalz

J. Schmalz GmbH | Johannes-Schmalz-Straße, 72293 Glatten, Deutschland | +49 7443 2403-102 | customercenter@schmalz.de

Technical Data

Attribute	Value
Suction force	740 N
Volume	50 cm ³
Curve radius (min) (convex)	1700 mm
Evacuation rate for pu = -0,6 bar	47 l/min
Internal hose diameter (recom.)	9 mm
Size	140
Workpiece temperature max.	600 °C
Suction cup material	Silicate fabric
Weight	1390 g
Product family	SPL-HT

Spare Parts



DR-SPL-HT 140 ST

Part no. 10.01.23.00018

Rubber seal for SPL suction cup

Size: 140

Suction cup material: Silicate fabric