

Suction plate (round)

<https://www.schmalz.com/10.01.23.00007>



SPL-HT 90 ST G1/4-IG

Part no.: 10.01.23.00007

Homepage > Vacuum Technology for Automation > Vacuum Components > Vacuum Suction Cups > Suction Cups for High-Temperature

Applications > Suction Plates for High-Temperature SPL-HT > SPL-HT 90 ST G1/4-IG

Suction plate for high-temperature applications



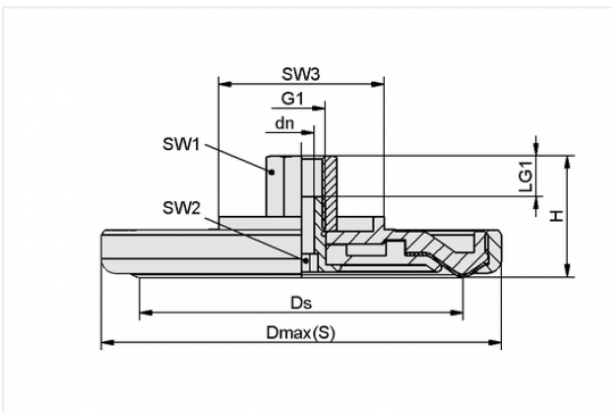
Size: 90

Suction cup material: Silicate fabric

Vacuum connection: G1/4-F

Workpiece temperature max.: 600 °C

Design Data



Attribute	Value
-----------	-------

dn	7 mm
----	------

Dmax(S)	111.5 mm
---------	----------

Ds	90 mm
----	-------

G1	G1/4"-F
----	---------

H	39 mm
---	-------

LG1	12 mm
-----	-------

SW1	17 mm
-----	-------

SW2	8 mm
-----	------

SW3	46 mm
-----	-------

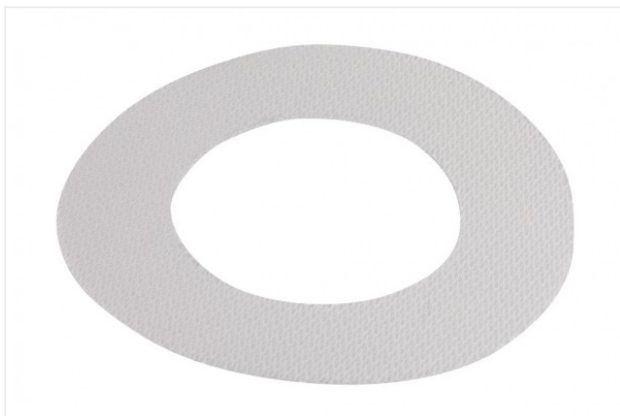
Contact to Schmalz

J. Schmalz GmbH | Johannes-Schmalz-Straße, 72293 Glatten, Deutschland | +49 7443 2403-102 | customercenter@schmalz.de

Technical Data

Attribute	Value
Suction force	320 N
Volume	25 cm ³
Curve radius (min) (convex)	1060 mm
Evacuation rate for pu = -0,6 bar	32 l/min
Internal hose diameter (recom.)	6 mm
Size	90
Workpiece temperature max.	600 °C
Suction cup material	Silicate fabric
Weight	675 g
Product family	SPL-HT

Spare Parts



DR-SPL-HT 90 ST

Part no. 10.01.23.00016

Rubber seal for SPL suction cup

Size: 90

Suction cup material: Silicate fabric