

# Sealing ring for SPL suction plate

DR-SPL-HT 60 ST

Part no.: 10.01.23.00001

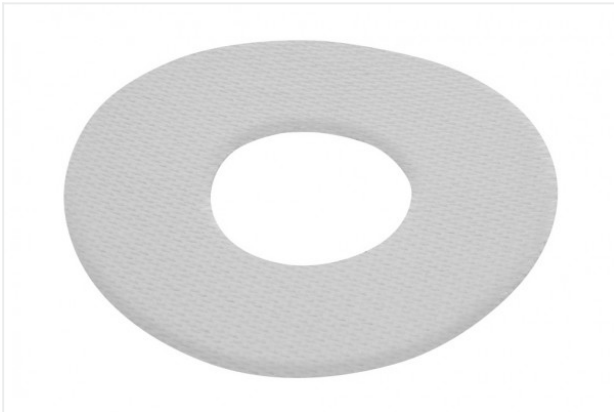
<https://www.schmalz.com/10.01.23.00001>



Homepage > Vacuum Technology for Automation > Vacuum Components > Vacuum Suction Cups > Suction Cups for High-Temperature

Applications > DR-SPL-HT 60 ST

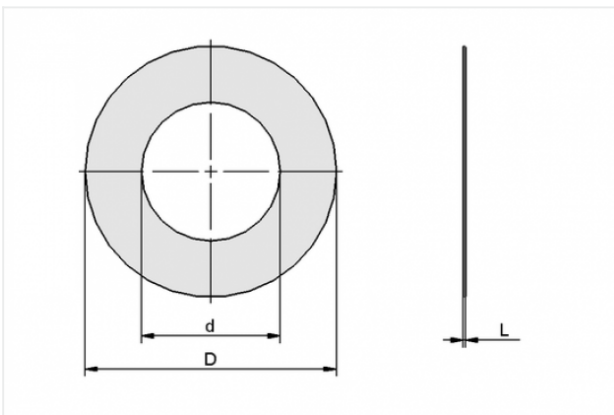
## Rubber seal for SPL suction cup



Size: 60

Suction cup material: Silicate fabric

## Design Data



Attribute	Value
-----------	-------

d	30.5 mm
---	---------

D	73 mm
---	-------

L	0.8 mm
---	--------

## Technical Data

Attribute	Value
-----------	-------

Size	60
------	----

Suction cup material	Silicate fabric
----------------------	-----------------

## Contact to Schmalz

J. Schmalz GmbH | Johannes-Schmalz-Straße, 72293 Glatten, Deutschland | +49 7443 2403-102 | [customercenter@schmalz.de](mailto:customercenter@schmalz.de)



Attribute	Value
Weight	4.1 g
Product family	DR-SPL-HT

---

---