

Suction plate (round)

<https://www.schmalz.com/10.01.23.00006>



SPL-HT 60 ST G1/4-IG

Part no.: 10.01.23.00006

Homepage > Vacuum Technology for Automation > Vacuum Components > Vacuum Suction Cups > Suction Cups for High-Temperature

Applications > Suction Plates for High-Temperature SPL-HT > SPL-HT 60 ST G1/4-IG

Suction plate for high-temperature applications



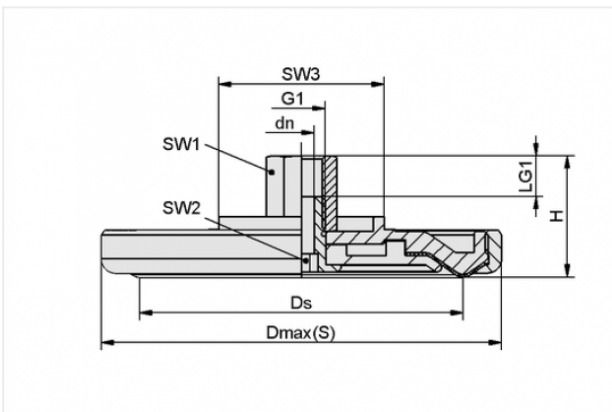
Size: 60

Suction cup material: Silicate fabric

Vacuum connection: G1/4-F

Workpiece temperature max.: 600 °C

Design Data



| Attribute | Value |
|-----------|-------|
|-----------|-------|

| | |
|----|------|
| dn | 7 mm |
|----|------|

| | |
|---------|---------|
| Dmax(S) | 79.5 mm |
|---------|---------|

| | |
|----|-------|
| Ds | 58 mm |
|----|-------|

| | |
|----|---------|
| G1 | G1/4"-F |
|----|---------|

| | |
|---|-------|
| H | 39 mm |
|---|-------|

| | |
|-----|-------|
| LG1 | 12 mm |
|-----|-------|

| | |
|-----|-------|
| SW1 | 17 mm |
|-----|-------|

| | |
|-----|------|
| SW2 | 8 mm |
|-----|------|

| | |
|-----|-------|
| SW3 | 27 mm |
|-----|-------|

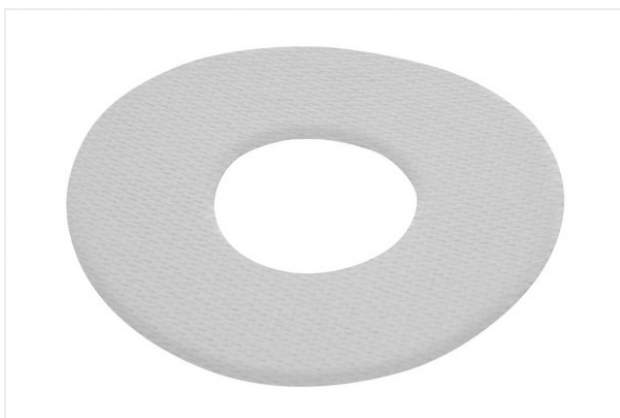
Contact to Schmalz

J. Schmalz GmbH | Johannes-Schmalz-Straße, 72293 Glatten, Deutschland | +49 7443 2403-102 | customercenter@schmalz.de

Technical Data

| Attribute | Value |
|-----------------------------------|--------------------|
| Suction force | 130 N |
| Volume | 12 cm ³ |
| Curve radius (min) (convex) | 440 mm |
| Evacuation rate for pu = -0,6 bar | 32 l/min |
| Internal hose diameter (recom.) | 6 mm |
| Size | 60 |
| Workpiece temperature max. | 600 °C |
| Suction cup material | Silicate fabric |
| Weight | 375 g |
| Product family | SPL-HT |

Spare Parts



DR-SPL-HT 60 ST

Part no. 10.01.23.00001

Rubber seal for SPL suction cup

Size: 60

Suction cup material: Silicate fabric