

# Suction plate (round)

## SPL-HT 35 ST G1/8-IG

<https://www.schmalz.com/10.01.23.00023>



Part no.: 10.01.23.00023

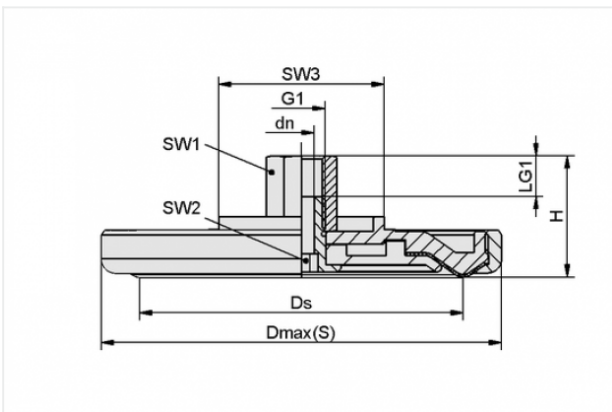
Homepage > Vacuum Technology for Automation > Vacuum Components > Vacuum Suction Cups > Suction Cups for High-Temperature Applications > Suction Plates for High-Temperature SPL-HT > SPL-HT 35 ST G1/8-IG

## Suction plate for high-temperature applications



Size: 35  
Suction cup material: Silicate fabric  
Vacuum connection: G1/8-F  
Workpiece temperature max.: 600 °C

## Design Data



| Attribute | Value |
|-----------|-------|
|-----------|-------|

|         |         |
|---------|---------|
| dn      | 5 mm    |
| Dmax(S) | 53 mm   |
| Ds      | 35 mm   |
| G1      | G1/8"-F |
| H       | 29 mm   |
| LG1     | 12 mm   |
| SW1     | 14 mm   |
| SW2     | 5 mm    |
| SW3     | 27 mm   |

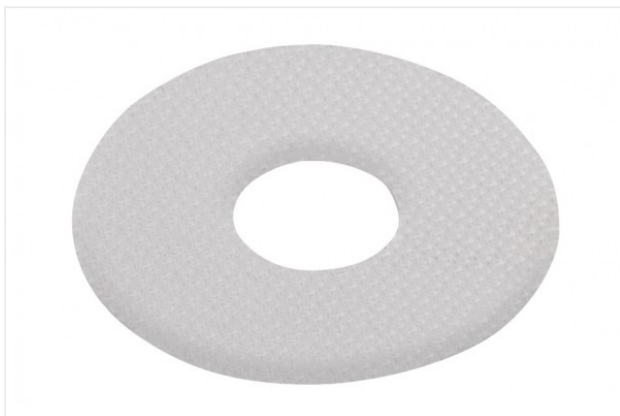
## Contact to Schmalz

J. Schmalz GmbH | Johannes-Schmalz-Straße, 72293 Glatten, Deutschland | +49 7443 2403-102 | [customercenter@schmalz.de](mailto:customercenter@schmalz.de)

## Technical Data

| Attribute                         | Value             |
|-----------------------------------|-------------------|
| Suction force                     | 47 N              |
| Volume                            | 4 cm <sup>3</sup> |
| Curve radius (min) (convex)       | 90 mm             |
| Evacuation rate for pu = -0,6 bar | 22 l/min          |
| Internal hose diameter (recom.)   | 4 mm              |
| Size                              | 35                |
| Workpiece temperature max.        | 600 °C            |
| Suction cup material              | Silicate fabric   |
| Weight                            | 225 g             |
| Product family                    | SPL-HT            |

## Spare Parts



### **DR-SPL-HT 35 ST**

Part no. 10.01.23.00022

Rubber seal for SPL suction cup

Size: 35

Suction cup material: Silicate fabric