

# Suction plate (round)

<https://www.schmalz.com/10.01.01.00834>



## SPL-HT 190 FPM-F-65

Part no.: 10.01.01.00834

Homepage > Vacuum Technology for Automation > Vacuum Components > Vacuum Suction Cups > Suction Cups for High-Temperature

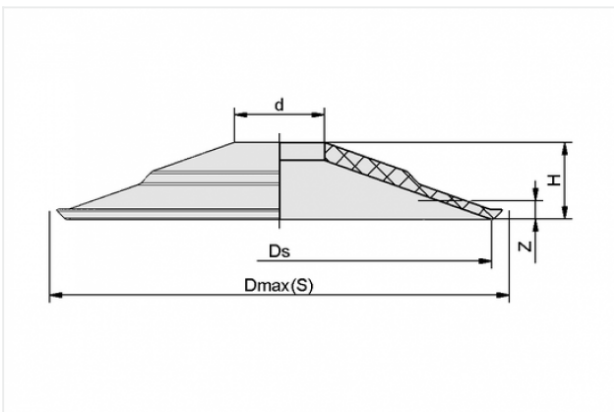
Applications > SPL-HT 190 FPM-F-65

### Suction plate for high-temperature applications



Size: 190  
Suction cup material:  
Fluorocautchuc FPM-F  
Material hardness: 65 °Sh  
Workpiece temperature max.: 400 °C

#### Design Data



Attribute	Value
-----------	-------

d	40 mm
Dmax(S)	209 mm
Ds	190 mm
H	17 mm
Z	8 mm

#### Technical Data

Attribute	Value
Suction force	1050 N
Curve radius (min) (convex)	350 mm

#### Contact to Schmalz

J. Schmalz GmbH | Johannes-Schmalz-Straße, 72293 Glatten, Deutschland | +49 7443 2403-102 | [customercenter@schmalz.de](mailto:customercenter@schmalz.de)



Attribute	Value
Size	190
Workpiece temperature max.	400 °C
Suction cup material	Fluorocaoutchuc FPM-F
Weight	256 g