

Suction plate (round)

SPL-HT 120 FPM-F-65 G1/4-AG

<https://www.schmalz.com/10.01.01.13438>



Part no.: 10.01.01.13438

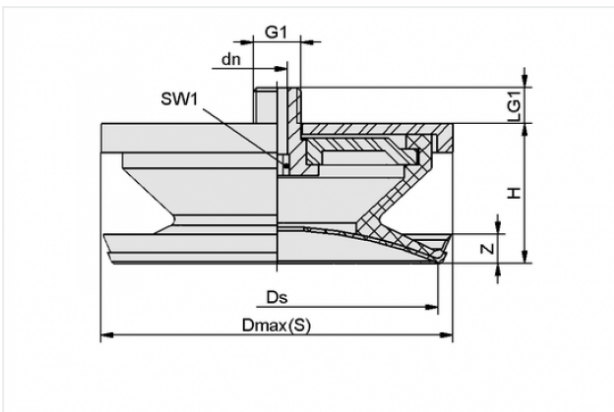
Homepage > Vacuum Technology for Automation > Vacuum Components > Vacuum Suction Cups > SPL-HT 120 FPM-F-65 G1/4-AG

Suction plate for high-temperature applications



Size: 120
Suction cup material:
Fluorocautchuc FPM-F
Material hardness: 65 °Sh
Vacuum connection: G1/4-M
Workpiece temperature max.: 400 °C

Design Data



Attribute	Value
-----------	-------

dn	6 mm
Dmax(S)	130 mm
Ds	120 mm
G1	G1/4"-M
H	46 mm
LG1	11 mm
SW1	8 mm
Z	25 mm

Technical Data

Attribute	Value
Suction force	675 N

Contact to Schmalz

J. Schmalz GmbH | Johannes-Schmalz-Straße, 72293 Glatten, Deutschland | +49 7443 2403-102 | customercenter@schmalz.de

Attribute	Value
Volume	208 cm ³
Curve radius (min) (convex)	300 mm
Size	120
Number of folds	0
Workpiece temperature max.	400 °C
Suction cup material	Fluorocaoutchuc FPM-F
Weight	295 g
Product family	SPL-HT

Spare Parts



SPL-HT 120 FPM-F-65

Part no. 10.01.01.13435

Suction plate for high-temperature applications

Size: 120

Suction cup material:

Fluorocaoutchuc FPM-F

Material hardness: 65 °Sh

Workpiece temperature max.: 400 °C