

Suction plate (round)

SPL-HT 90 FPM-F-65

<https://www.schmalz.com/10.01.01.00553>



Part no.: 10.01.01.00553

Homepage > Vacuum Technology for Automation > Vacuum Components > Vacuum Suction Cups > Suction Cups for High-Temperature

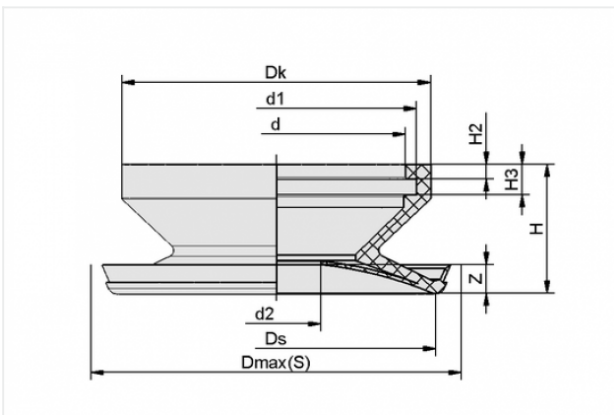
Applications > SPL-HT 90 FPM-F-65

Suction plate for high-temperature applications



Size: 90
Suction cup material:
Fluorocautchuc FPM-F
Material hardness: 65 °Sh
Workpiece temperature max.: 400 °C

Design Data



Attribute	Value
-----------	-------

d	72 mm
---	-------

d1	78 mm
----	-------

d2	15 mm
----	-------

Dk	86 mm
----	-------

Dmax(S)	98 mm
---------	-------

Ds	90 mm
----	-------

H	36 mm
---	-------

H2	4 mm
----	------

H3	9.5 mm
----	--------

Z	16.5 mm
---	---------

Contact to Schmalz

J. Schmalz GmbH | Johannes-Schmalz-Straße, 72293 Glatten, Deutschland | +49 7443 2403-102 | customercenter@schmalz.de

Technical Data

Attribute	Value
Suction force	230 N
Volume	119 cm ³
Curve radius (min) (convex)	250 mm
Size	90
Workpiece temperature max.	400 °C
Suction cup material	Fluorocaoutchuc FPM-F
Weight	79.2 g
