

# Bellows suction cup HT1 (round)

<https://www.schmalz.com/10.01.06.03680>



## SAB 125 HT1-60 G1/2-IG

Part no.: 10.01.06.03680

Homepage > Vacuum Technology for Automation > Vacuum Components > Vacuum Suction Cups > Suction Cups for Handling Glass > Bellows

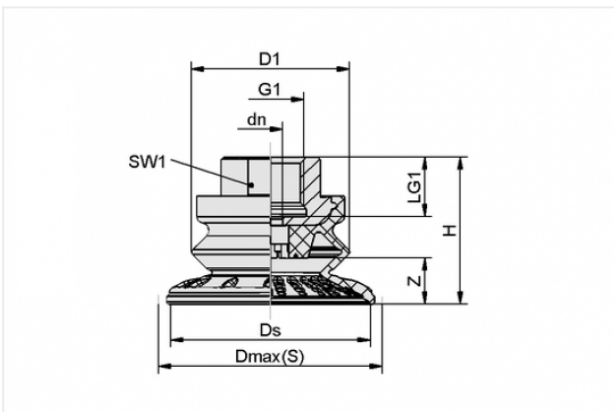
Suction Cups SAB HT1 (1.5 Folds) > SAB 125 HT1-60 G1/2-IG

## Bellows suction cup (round) for markless handling of workpieces



Size: 125  
Suction cup material:  
High temp material HT1  
Material hardness: 60 °Sh  
Vacuum connection: G1/2-F  
Number of folds: 1.5  
Nipple material: Aluminium

### Design Data



Attribute	Value
-----------	-------

dn	9 mm
D1	94 mm
Dmax(S)	135 mm
Ds	126 mm
G1	G1/2"-F
H	67.8 mm
LG1	15 mm
SW1	22 mm
Z	32 mm

### Contact to Schmalz

J. Schmalz GmbH | Johannes-Schmalz-Straße, 72293 Glatten, Deutschland | +49 7443 2403-102 | [customercenter@schmalz.de](mailto:customercenter@schmalz.de)

## Technical Data

Attribute	Value
Suction force	250 N
Pull-off force	558 N
Lateral force	352 N
Lateral force (oily surface)	335 N
Volume	191 cm <sup>3</sup>
Curve radius (min) (convex)	140 mm
Internal hose diameter (recom.)	9 mm
Size	125
Number of folds	1.5
Suction cup material	High temp material HT1
Material hardness	60 °Sh
Weight	170.2 g
Product family	SAB