

Suction plate (round)

SGF 125 HT1-60 G3/8-IG

<https://www.schmalz.com/10.01.01.13205>



Part no.: 10.01.01.13205

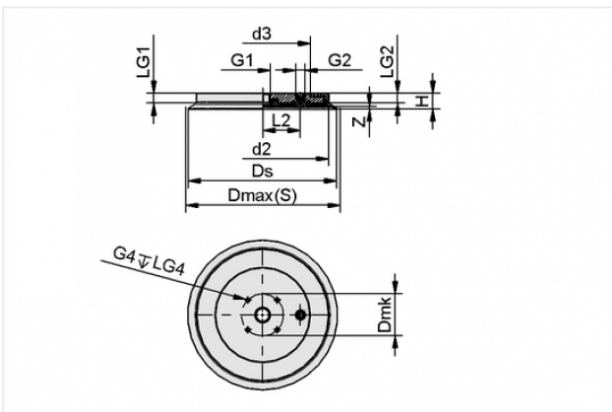
Homepage > Vacuum Technology for Automation > Vacuum Components > Vacuum Suction Cups > Suction Cups for Handling Glass > SGF 125 HT1-60 G3/8-IG

Flat suction cup (round) for highly dynamic handling of glass



Size: 125
 Suction cup material:
 High temp material HT1
 Material hardness: 60 °Sh
 Connection: G3/8-F

Design Data



| Attribute | Value |
|-----------|---------|
| d2 | 100 mm |
| d3 | 70 mm |
| Dmax(S) | 130 mm |
| Ds | 123 mm |
| G1 | G3/8"-F |
| G2 | G1/4"-F |
| H | 21.4 mm |
| L2 | 26.5 mm |
| LG1 | 14 mm |
| LG2 | 14 mm |
| Z | 3 mm |

Contact to Schmalz

J. Schmalz GmbH | Johannes-Schmalz-Straße, 72293 Glatten, Deutschland | +49 7443 2403-102 | customercenter@schmalz.de

Technical Data

| Attribute | Value |
|---------------------------------|------------------------|
| Suction force | 730 N |
| Suction force d2 | 470 N |
| Volume | 43.784 cm ³ |
| Curve radius (min) (convex) | 1500 mm |
| Internal hose diameter (recom.) | 9 mm |
| Size | 125 |
| Number of folds | 0 |
| Suction cup material | High temp material HT1 |
| Material hardness | 60 °Sh |
| Weight | 290 g |
| Product family | SGF |

Spare Parts



VRS-S G1/4-AG

Part no. 10.08.06.00048

Sealing screw without collar

Thread 1: G1/4-M

Material: Brass

Surface: nickel plated

**DR-SGF 125 HT1-60**

Part no. 10.01.01.12890

Rubber Seal for SGF suction cup

Size: 125

Suction cup material:

High temp material HT1

Material hardness: 60 °Sh

Accessories**TV G1/4-AG 13**

Part no. 10.05.10.00061

Touch valve for deactivation of unused suction cups or vacuum blocks

Thread G1: G1/4-M

Spring stroke Z: 13 mm

**SIEB 19.5x1 MS 100**

Part no. 10.07.01.00215

Screen

External diameter D: 19.5 mm

Length L: 1 mm

Material: Brass

Filter pore size: 100 µm

**PC 125**

Part no. 10.01.01.13086

Cover for suction cup

Size: 125

**SU 120**

Part no. 10.01.01.12437

Cover for suction cup

Size: 120

Clamping range: 115.0 ... 130.0 mm

Temperature resistance: 80 °C