

# Flat suction cup (round)

<https://www.schmalz.com/10.01.01.00794>



## SGPN 40 NK-40 G1/4-IG

Part no.: 10.01.01.00794

Homepage > Vacuum Technology for Automation > Vacuum Components > Vacuum Suction Cups > Suction Cups for Plastic Films and Paper >

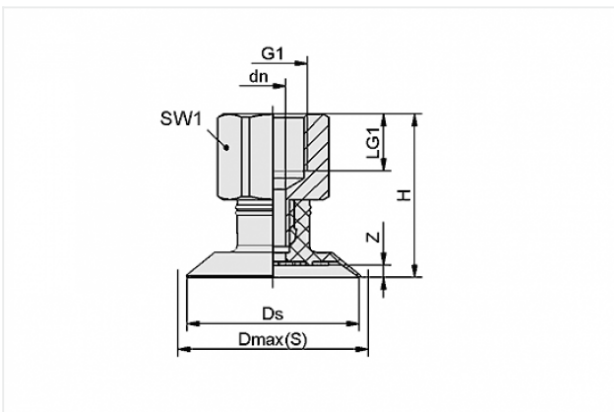
Flat Suction Cups SGPN > SGPN 40 NK-40 G1/4-IG

### Flat suction cup (round) for careful gripping of paper, plastic film, etc.



Size: 40  
Suction cup material:  
Natural Rubber NK  
Material hardness: 40 °Sh  
Nipple material: Aluminium  
Vacuum connection: G1/4-F

### Design Data



| Attribute | Value |
|-----------|-------|
|-----------|-------|

|         |         |
|---------|---------|
| dn      | 5 mm    |
| Dmax(S) | 42 mm   |
| Ds      | 40 mm   |
| G1      | G1/4"-F |
| H       | 35.6 mm |
| LG1     | 12 mm   |
| SW1     | 17 mm   |
| Z       | 2.3 mm  |

### Technical Data

#### Contact to Schmalz

J. Schmalz GmbH | Johannes-Schmalz-Straße, 72293 Glatten, Deutschland | +49 7443 2403-102 | [customercenter@schmalz.de](mailto:customercenter@schmalz.de)

| Attribute                       | Value               |
|---------------------------------|---------------------|
| Suction force                   | 33 N                |
| Volume                          | 3.8 cm <sup>3</sup> |
| Internal hose diameter (recom.) | 4 mm                |
| Size                            | 40                  |
| Number of folds                 | 0                   |
| Suction cup material            | Natural Rubber NK   |
| Material hardness               | 40 °Sh              |
| Weight                          | 13.1 g              |
| Product family                  | SGPN                |

**Note:**

- Suction force: The specified suction forces are theoretical values at a vacuum of -0.6 bar and with a smooth, dry workpiece surface - they do not include a safety factor
- Hose diameter: The recommended hose diameter refers to a hose length of approx. 2 m

**Spare Parts**



**SA-NIP N035 G1/4-IG DN550**

Part no. 10.01.01.00821

Suction cup connection nipple

Nipple: N 035

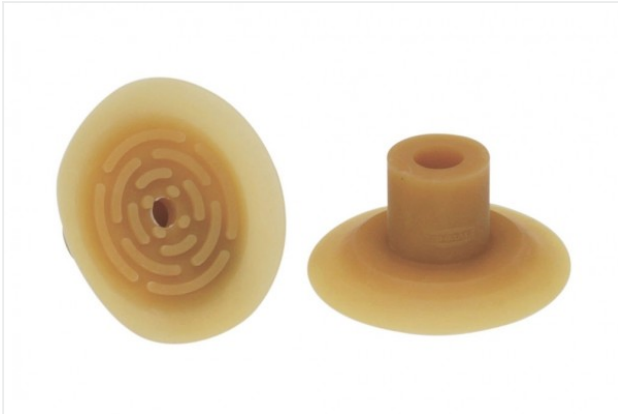
Thread G1: G1/4-F

Overall length: 28 mm

Fitting length: 15 mm

Nominal size: 5,50 mm

Material: Aluminium



**SGP 40 NK-40 N035**

Part no. 10.01.01.00789

Flat suction cup (round) for careful gripping of paper, plastic film, etc.

Size: 40

Suction cup material:

Natural Rubber NK

Material hardness: 40 °Sh