

Flat suction cup (round)

SGP 40 SI-50 N035

Part no.: 10.01.01.12772

<https://www.schmalz.com/10.01.01.12772>



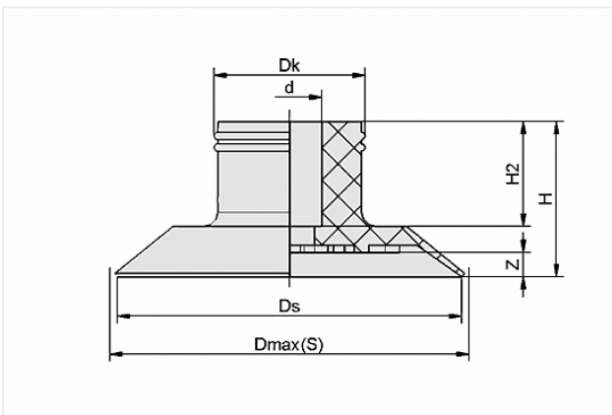
Homepage > Vacuum Technology for Automation > Vacuum Components > Vacuum Suction Cups > Suction Cups for Plastic Films and Paper > SGP 40 SI-50 N035

Flat suction cup (round) for careful gripping of paper, plastic film, etc.



Size: 40
Suction cup material: Silicone SI
Material hardness: 50 °Sh

Design Data



Attribute	Value
-----------	-------

d	8 mm
---	------

Dk	16 mm
----	-------

Dmax(S)	42 mm
---------	-------

Ds	40 mm
----	-------

H	20.6 mm
---	---------

H2	14.5 mm
----	---------

Z	2.3 mm
---	--------

Technical Data

Attribute	Value
-----------	-------

Suction force	33 N
---------------	------

Contact to Schmalz

J. Schmalz GmbH | Johannes-Schmalz-Straße, 72293 Glatten, Deutschland | +49 7443 2403-102 | customercenter@schmalz.de



Attribute	Value
Volume	3.8 cm ³
Size	40
Nipple	N 035
Number of folds	0
Suction cup material	Silicone SI
Material hardness	50 °Sh
Weight	5.2 g
Product family	SGP
