

# Flat suction cup (round)

<https://www.schmalz.com/10.01.01.00789>



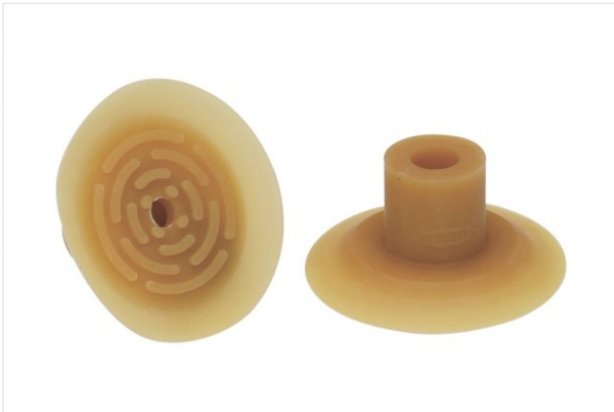
## SGP 40 NK-40 N035

Part no.: 10.01.01.00789

Homepage > Vacuum Technology for Automation > Vacuum Components > Vacuum Suction Cups > Suction Cups for Plastic Films and Paper >

SGP 40 NK-40 N035

### Flat suction cup (round) for careful gripping of paper, plastic film, etc.



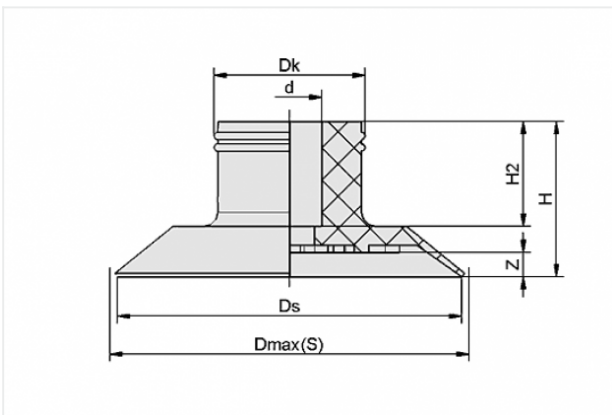
Size: 40

Suction cup material:

Natural Rubber NK

Material hardness: 40 °Sh

### Design Data



Attribute	Value
-----------	-------

d	8 mm
---	------

Dk	16 mm
----	-------

Dmax(S)	42 mm
---------	-------

Ds	40 mm
----	-------

H	20.6 mm
---	---------

H2	14.5 mm
----	---------

Z	2.3 mm
---	--------

### Technical Data

Attribute	Value
-----------	-------

Suction force	33 N
---------------	------

### Contact to Schmalz

J. Schmalz GmbH | Johannes-Schmalz-Straße, 72293 Glatten, Deutschland | +49 7443 2403-102 | [customercenter@schmalz.de](mailto:customercenter@schmalz.de)

Attribute	Value
Volume	3.8 cm <sup>3</sup>
Size	40
Nipple	N 035
Number of folds	0
Suction cup material	Natural Rubber NK
Material hardness	40 °Sh
Weight	5.2 g
Product family	SGP

## Accessories



### SA-NIP N035 G1/4-IG DN550

Part no. 10.01.01.00821

Suction cup connection nipple

Nipple: N 035

Thread G1: G1/4-F

Overall length: 28 mm

Fitting length: 15 mm

Nominal size: 5,50 mm

Material: Aluminium



### SA-NIP N035 G1/4-AG DN550

Part no. 10.01.01.00822

Suction cup connection nipple

Nipple: N 035

Thread G1: G1/4-M

Overall length: 28 mm

Fitting length: 5 mm

Nominal size: 5,50 mm

Material: Aluminium



**SA-NIP N035 G1/8-AG DN500**

Part no. 10.01.01.11738

Suction cup connection nipple

Nipple: N 035

Thread G1: G1/8-M

Overall length: 28 mm

Fitting length: 5 mm

Nominal size: 5,00 mm

Material: Aluminium