

Flat suction cup (round)

<https://www.schmalz.com/10.01.01.12812>



SGP 40 HT1-60 N035

Part no.: 10.01.01.12812

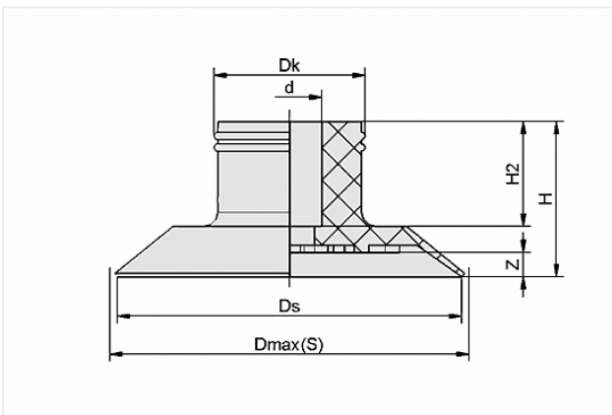
Homepage > Vacuum Technology for Automation > Vacuum Components > Vacuum Suction Cups > Suction Cups for Plastic Films and Paper > SGP 40 HT1-60 N035

Flat suction cup (round) for careful gripping of paper, plastic film, etc.



Size: 40
Suction cup material:
High temp material HT1
Material hardness: 60 °Sh

Design Data



Attribute	Value
-----------	-------

d	8 mm
Dk	16 mm
Dmax(S)	42 mm
Ds	40 mm
H	20.6 mm
H2	14.5 mm
Z	2.3 mm

Technical Data

Attribute	Value
Suction force	33 N

Contact to Schmalz

J. Schmalz GmbH | Johannes-Schmalz-Straße, 72293 Glatten, Deutschland | +49 7443 2403-102 | customercenter@schmalz.de

Attribute	Value
Volume	3.8 cm ³
Size	40
Nipple	N 035
Number of folds	0
Suction cup material	High temp material HT1
Material hardness	60 °Sh
Weight	5.2 g
Product family	SGP
