

Suction cup connection nipple

SA-NIP N035 G1/8-AG DN500

<https://www.schmalz.com/10.01.01.11738>



Part no.: 10.01.01.11738

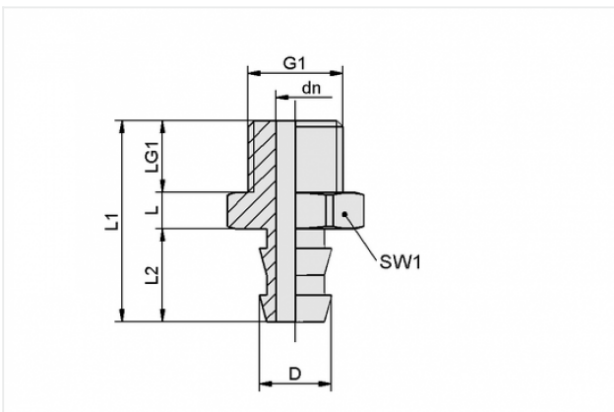
Homepage > Vacuum Technology for Automation > Vacuum Components > Vacuum Suction Cups > Suction Cups for Plastic Films and Paper > SA-NIP N035 G1/8-AG DN500

Suction cup connection nipple



Nipple: N 035
Thread G1: G1/8-M
Overall length: 28 mm
Fitting length: 5 mm
Nominal size: 5,00 mm
Material: Aluminium

Design Data



Attribute	Value
-----------	-------

dn	5 mm
D	10 mm
G1	G1/8"-M
L	5 mm
L1	28 mm
L2	13 mm
LG1	10 mm
SW1	17 mm

Technical Data

Contact to Schmalz

J. Schmalz GmbH | Johannes-Schmalz-Straße, 72293 Glatten, Deutschland | +49 7443 2403-102 | customercenter@schmalz.de

Attribute	Value
Nipple	N 035
Material	Aluminium
Weight	5.9 g
