

Flat suction cup (round)

<https://www.schmalz.com/10.01.01.12787>



SGPN 35 SI-50 G1/4-IG

Part no.: 10.01.01.12787

Homepage > Vacuum Technology for Automation > Vacuum Components > Vacuum Suction Cups > Suction Cups for Plastic Films and Paper >

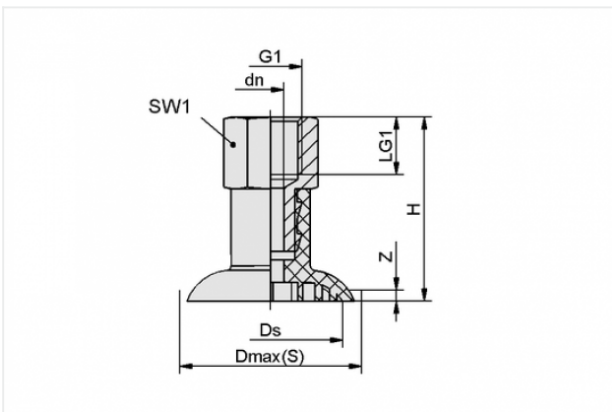
Flat Suction Cups SGPN > SGPN 35 SI-50 G1/4-IG

Flat suction cup (round) for careful gripping of paper, plastic film, etc.



Size: 35
Suction cup material: Silicone SI
Material hardness: 50 °Sh
Nipple material: Aluminium
Vacuum connection: G1/4-F

Design Data



| Attribute | Value |
|-----------|-------|
|-----------|-------|

| | |
|---------|---------|
| dn | 5.5 mm |
| Dmax(S) | 35 mm |
| Ds | 34 mm |
| G1 | G1/4"-F |
| H | 38.5 mm |
| LG1 | 12 mm |
| SW1 | 17 mm |
| Z | 0.5 mm |

Technical Data

Contact to Schmalz

J. Schmalz GmbH | Johannes-Schmalz-Straße, 72293 Glatten, Deutschland | +49 7443 2403-102 | customercenter@schmalz.de

| Attribute | Value |
|---------------------------------|---------------------|
| Suction force | 31 N |
| Volume | 2.8 cm ³ |
| Internal hose diameter (recom.) | 4 mm |
| Size | 35 |
| Number of folds | 0 |
| Suction cup material | Silicone SI |
| Material hardness | 50 °Sh |
| Weight | 14.4 g |
| Product family | SGPN |

Note:

- Suction force: The specified suction forces are theoretical values at a vacuum of -0.6 bar and with a smooth, dry workpiece surface - they do not include a safety factor
- Hose diameter: The recommended hose diameter refers to a hose length of approx. 2 m

Spare Parts



SA-NIP N034 G1/4-IG DN550

Part no. 10.01.01.00819
 Suction cup connection nipple
 Nipple: N 034
 Thread G1: G1/4-F
 Overall length: 28 mm
 Fitting length: 15 mm
 Nominal size: 5,50 mm
 Material: Aluminium
 Spanner size SW2: 6 mm



SGP 35 SI-50 N034

Part no. 10.01.01.12784

Flat suction cup (round) for careful gripping of paper, plastic film, etc.

Size: 35

Suction cup material: Silicone SI

Material hardness: 50 °Sh