

# Flat suction cup (round)

<https://www.schmalz.com/10.01.01.12785>



## SGPN 35 SI-50 G1/4-AG

Part no.: 10.01.01.12785

Homepage > Vacuum Technology for Automation > Vacuum Components > Vacuum Suction Cups > Suction Cups for Plastic Films and Paper >

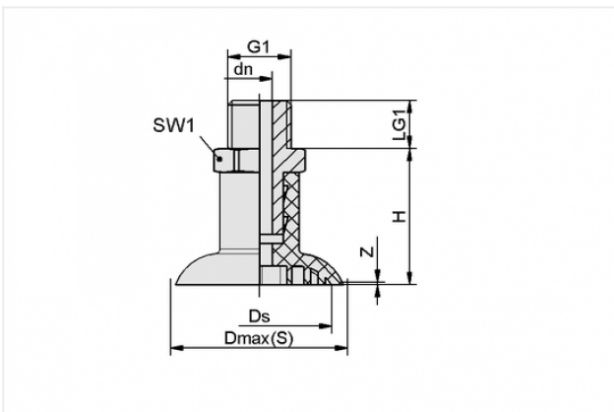
Flat Suction Cups SGPN > SGPN 35 SI-50 G1/4-AG

### Flat suction cup (round) for careful gripping of paper, plastic film, etc.



Size: 35  
Suction cup material: Silicone SI  
Material hardness: 50 °Sh  
Nipple material: Aluminium  
Vacuum connection: G1/4-M

#### Design Data



Attribute	Value
-----------	-------

dn	5.5 mm
Dmax(S)	35 mm
Ds	34 mm
G1	G1/4"-M
H	28.5 mm
LG1	10 mm
SW1	17 mm
Z	0.5 mm

#### Technical Data

#### Contact to Schmalz

J. Schmalz GmbH | Johannes-Schmalz-Straße, 72293 Glatten, Deutschland | +49 7443 2403-102 | [customercenter@schmalz.de](mailto:customercenter@schmalz.de)

Attribute	Value
Suction force	31 N
Volume	2.8 cm <sup>3</sup>
Internal hose diameter (recom.)	4 mm
Size	35
Number of folds	0
Suction cup material	Silicone SI
Material hardness	50 °Sh
Weight	14.4 g
Product family	SGPN

**Note:**

- Suction force: The specified suction forces are theoretical values at a vacuum of -0.6 bar and with a smooth, dry workpiece surface - they do not include a safety factor
- Hose diameter: The recommended hose diameter refers to a hose length of approx. 2 m

**Spare Parts**



**SA-NIP N034 G1/4-AG DN550**

Part no. 10.01.01.00820

Suction cup connection nipple

Nipple: N 034

Thread G1: G1/4-M

Overall length: 28 mm

Fitting length: 5 mm

Nominal size: 5,50 mm

Material: Aluminium

Spanner size SW2: 6 mm



**SGP 35 SI-50 N034**

Part no. 10.01.01.12784

Flat suction cup (round) for careful gripping of paper, plastic film, etc.

Size: 35

Suction cup material: Silicone SI

Material hardness: 50 °Sh