

Flat suction cup (round)

<https://www.schmalz.com/10.01.01.00788>



SGP 35 NK-40 N034

Part no.: 10.01.01.00788

Homepage > Vacuum Technology for Automation > Vacuum Components > Vacuum Suction Cups > Suction Cups for Plastic Films and Paper >

SGP 35 NK-40 N034

Flat suction cup (round) for careful gripping of paper, plastic film, etc.



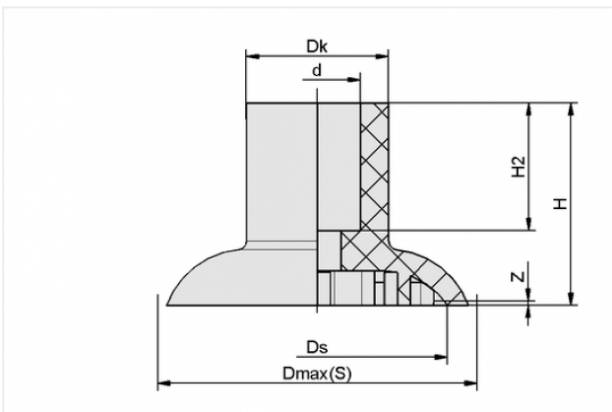
Size: 35

Suction cup material:

Natural Rubber NK

Material hardness: 40 °Sh

Design Data



Attribute	Value
-----------	-------

d	10 mm
---	-------

Dk	16.5 mm
----	---------

Dmax(S)	35 mm
---------	-------

Ds	30.2 mm
----	---------

H	23.5 mm
---	---------

H2	14.8 mm
----	---------

Z	0.5 mm
---	--------

Technical Data

Attribute	Value
-----------	-------

Suction force	31 N
---------------	------

Contact to Schmalz

J. Schmalz GmbH | Johannes-Schmalz-Straße, 72293 Glatten, Deutschland | +49 7443 2403-102 | customercenter@schmalz.de

Attribute	Value
Volume	2.8 cm ³
Size	35
Nipple	N 034
Number of folds	0
Suction cup material	Natural Rubber NK
Material hardness	40 °Sh
Weight	6.4 g
Product family	SGP

Accessories



SA-NIP N034 G1/4-IG DN550

Part no. 10.01.01.00819

Suction cup connection nipple

Nipple: N 034

Thread G1: G1/4-F

Overall length: 28 mm

Fitting length: 15 mm

Nominal size: 5,50 mm

Material: Aluminium

Spanner size SW2: 6 mm



SA-NIP N034 G1/4-AG DN550

Part no. 10.01.01.00820

Suction cup connection nipple

Nipple: N 034

Thread G1: G1/4-M

Overall length: 28 mm

Fitting length: 5 mm

Nominal size: 5,50 mm

Material: Aluminium

Spanner size SW2: 6 mm

