

Suction cup connection nipple

SA-NIP N034 G1/4-IG DN550

<https://www.schmalz.com/10.01.01.00819>



Part no.: 10.01.01.00819

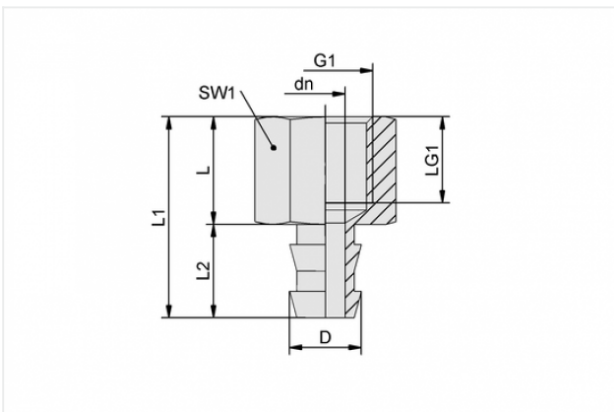
Homepage > Vacuum Technology for Automation > Vacuum Components > Vacuum Suction Cups > Suction Cups for Plastic Films and Paper > SA-NIP N034 G1/4-IG DN550

Suction cup connection nipple



Nipple: N 034
Thread G1: G1/4-F
Overall length: 28 mm
Fitting length: 15 mm
Nominal size: 5,50 mm
Material: Aluminium
Spanner size SW2: 6 mm

Design Data



Attribute	Value
dn	5.5 mm
D	12 mm
G1	G1/4"-F
L	15 mm
L1	28 mm
L2	12 mm
LG1	12 mm
SW1	17 mm
SW2	6 mm

Contact to Schmalz

J. Schmalz GmbH | Johannes-Schmalz-Straße, 72293 Glatten, Deutschland | +49 7443 2403-102 | customercenter@schmalz.de

Technical Data

Attribute	Value
Nipple	N 034
Material	Aluminium
Weight	8 g
