

Flat suction cup (round)

<https://www.schmalz.com/10.01.01.12849>



SGPN 35 HT1-60 G1/4-IG

Part no.: 10.01.01.12849

Homepage > Vacuum Technology for Automation > Vacuum Components > Vacuum Suction Cups > Suction Cups for Plastic Films and Paper >

Flat Suction Cups SGPN > SGPN 35 HT1-60 G1/4-IG

Flat suction cup (round) for careful gripping of paper, plastic film, etc.



Size: 35

Suction cup material:

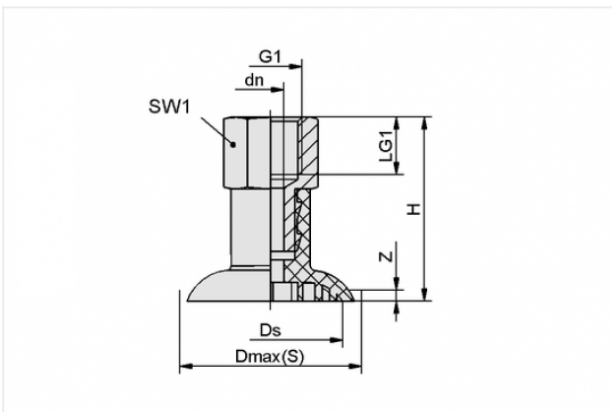
High temp material HT1

Material hardness: 60 °Sh

Nipple material: Aluminium

Vacuum connection: G1/4-F

Design Data



Attribute	Value
-----------	-------

dn	5.5 mm
----	--------

Dmax(S)	35 mm
---------	-------

Ds	34 mm
----	-------

G1	G1/4"-F
----	---------

H	38.5 mm
---	---------

LG1	12 mm
-----	-------

SW1	17 mm
-----	-------

Z	0.5 mm
---	--------

Technical Data

Contact to Schmalz

J. Schmalz GmbH | Johannes-Schmalz-Straße, 72293 Glatten, Deutschland | +49 7443 2403-102 | customercenter@schmalz.de

Attribute	Value
Suction force	31 N
Volume	2.8 cm ³
Internal hose diameter (recom.)	4 mm
Size	35
Number of folds	0
Suction cup material	High temp material HT1
Material hardness	60 °Sh
Weight	14.4 g
Product family	SGPN

Note:

- Suction force: The specified suction forces are theoretical values at a vacuum of -0.6 bar and with a smooth, dry workpiece surface - they do not include a safety factor
- Hose diameter: The recommended hose diameter refers to a hose length of approx. 2 m

Spare Parts



SA-NIP N034 G1/4-IG DN550

Part no. 10.01.01.00819

Suction cup connection nipple

Nipple: N 034

Thread G1: G1/4-F

Overall length: 28 mm

Fitting length: 15 mm

Nominal size: 5,50 mm

Material: Aluminium

Spanner size SW2: 6 mm



SGP 35 HT1-60 N034

Part no. 10.01.01.12811

Flat suction cup (round) for careful gripping of paper, plastic film, etc.

Size: 35

Suction cup material:

High temp material HT1

Material hardness: 60 °Sh