

Flat suction cup (round)

<https://www.schmalz.com/10.01.01.10829>



SGP 34 NK-40 N033

Part no.: 10.01.01.10829

Homepage > Vacuum Technology for Automation > Vacuum Components > Vacuum Suction Cups > Suction Cups for Plastic Films and Paper >

SGP 34 NK-40 N033

Flat suction cup (round) for careful gripping of paper, plastic film, etc.



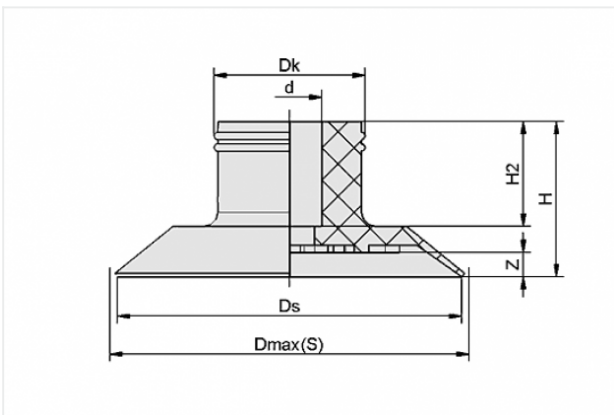
Size: 34

Suction cup material:

Natural Rubber NK

Material hardness: 40 °Sh

Design Data



Attribute	Value
-----------	-------

d	11.2 mm
---	---------

Dk	15.2 mm
----	---------

Dmax(S)	37.5 mm
---------	---------

Ds	34 mm
----	-------

H	23 mm
---	-------

H2	16.8 mm
----	---------

Z	2.2 mm
---	--------

Technical Data

Attribute	Value
-----------	-------

Suction force	25 N
---------------	------

Contact to Schmalz

J. Schmalz GmbH | Johannes-Schmalz-Straße, 72293 Glatten, Deutschland | +49 7443 2403-102 | customercenter@schmalz.de

Attribute	Value
Volume	3.7 cm ³
Size	34
Nipple	N 033
Number of folds	0
Suction cup material	Natural Rubber NK
Material hardness	40 °Sh
Weight	5.6 g
Product family	SGP

Accessories



SA-NIP N033 G1/4-AG DN550

Part no. 10.01.01.00818

Suction cup connection nipple

Nipple: N 033

Thread G1: G1/4-M

Overall length: 28 mm

Fitting length: 5 mm

Nominal size: 5,50 mm

Material: Aluminium

Spanner size SW2: 6 mm



SA-NIP N033 G1/4-IG DN550

Part no. 10.01.01.00817

Suction cup connection nipple

Nipple: N 033

Thread G1: G1/4-F

Overall length: 28 mm

Fitting length: 15 mm

Nominal size: 5,50 mm

Material: Aluminium

Spanner size SW2: 6 mm

