

Flat suction cup (round)

<https://www.schmalz.com/10.01.01.10831>



SGPN 34 NK-40 G1/4-AG

Part no.: 10.01.01.10831

Homepage > Vacuum Technology for Automation > Vacuum Components > Vacuum Suction Cups > Suction Cups for Plastic Films and Paper >

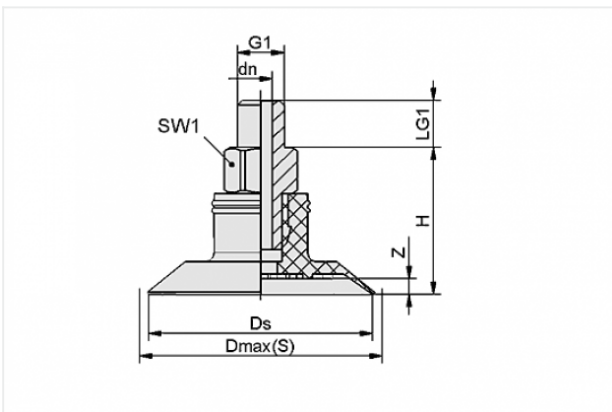
Flat Suction Cups SGPN > SGPN 34 NK-40 G1/4-AG

Flat suction cup (round) for careful gripping of paper, plastic film, etc.



Size: 34
Suction cup material:
Natural Rubber NK
Material hardness: 40 °Sh
Nipple material: Aluminium
Vacuum connection: G1/4-M

Design Data



Attribute	Value
-----------	-------

dn	5.5 mm
Dmax(S)	37.5 mm
Ds	34 mm
G1	G1/4"-M
H	28 mm
LG1	10 mm
SW1	17 mm
Z	2.2 mm

Technical Data

Contact to Schmalz

J. Schmalz GmbH | Johannes-Schmalz-Straße, 72293 Glatten, Deutschland | +49 7443 2403-102 | customercenter@schmalz.de

Attribute	Value
Suction force	25 N
Volume	3.7 cm ³
Internal hose diameter (recom.)	4 mm
Size	34
Number of folds	0
Suction cup material	Natural Rubber NK
Material hardness	40 °Sh
Weight	12 g
Product family	SGPN

Note:

- Suction force: The specified suction forces are theoretical values at a vacuum of -0.6 bar and with a smooth, dry workpiece surface - they do not include a safety factor
- Hose diameter: The recommended hose diameter refers to a hose length of approx. 2 m

Spare Parts



SA-NIP N033 G1/4-AG DN550

Part no. 10.01.01.00818

Suction cup connection nipple

Nipple: N 033

Thread G1: G1/4-M

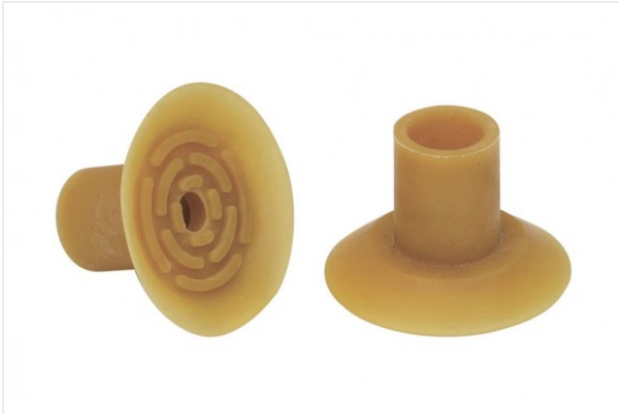
Overall length: 28 mm

Fitting length: 5 mm

Nominal size: 5,50 mm

Material: Aluminium

Spanner size SW2: 6 mm



SGP 34 NK-40 N033

Part no. 10.01.01.10829

Flat suction cup (round) for careful gripping of paper, plastic film, etc.

Size: 34

Suction cup material:

Natural Rubber NK

Material hardness: 40 °Sh