

Flat suction cup (round)

<https://www.schmalz.com/10.01.01.13046>



SGPN 34 FPM-65 G1/4-IG

Part no.: 10.01.01.13046

Homepage > Vacuum Technology for Automation > Vacuum Components > Vacuum Suction Cups > Suction Cups for Plastic Films and Paper >

Flat Suction Cups SGPN > SGPN 34 FPM-65 G1/4-IG

Flat suction cup (round) for careful gripping of paper, plastic film, etc.



Size: 34

Suction cup material:

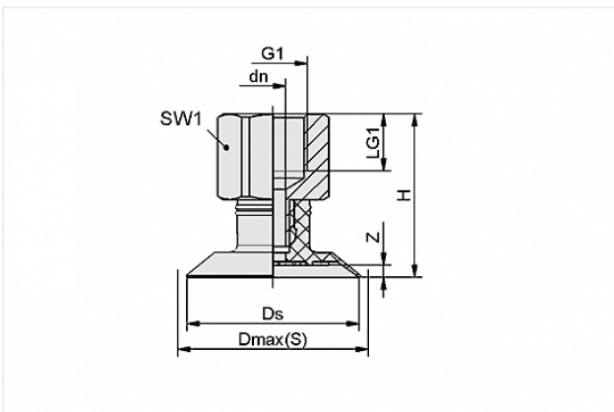
Fluorocautchuc FPM

Material hardness: 65 °Sh

Nipple material: Aluminium

Vacuum connection: G1/4-F

Design Data



Attribute	Value
-----------	-------

dn	5.5 mm
----	--------

Dmax(S)	37.5 mm
---------	---------

Ds	34 mm
----	-------

G1	G1/4"-F
----	---------

H	38 mm
---	-------

LG1	12 mm
-----	-------

SW1	17 mm
-----	-------

Z	2.2 mm
---	--------

Technical Data

Contact to Schmalz

J. Schmalz GmbH | Johannes-Schmalz-Straße, 72293 Glatten, Deutschland | +49 7443 2403-102 | customercenter@schmalz.de

Attribute	Value
Suction force	25 N
Volume	3.7 cm ³
Internal hose diameter (recom.)	4 mm
Size	34
Number of folds	0
Suction cup material	Fluorocautchuc FPM
Material hardness	65 °Sh
Weight	12 g
Product family	SGPN

Note:

- Suction force: The specified suction forces are theoretical values at a vacuum of -0.6 bar and with a smooth, dry workpiece surface - they do not include a safety factor
- Hose diameter: The recommended hose diameter refers to a hose length of approx. 2 m

Spare Parts



SA-NIP N033 G1/4-IG DN550

Part no. 10.01.01.00817

Suction cup connection nipple

Nipple: N 033

Thread G1: G1/4-F

Overall length: 28 mm

Fitting length: 15 mm

Nominal size: 5,50 mm

Material: Aluminium

Spanner size SW2: 6 mm



SGP 34 FPM-65 N033

Part no. 10.01.01.12919

Flat suction cup (round) for careful gripping of paper, plastic film, etc.

Size: 34

Suction cup material:

Fluorocautchuc FPM

Material hardness: 65 °Sh