

# Flat suction cup (round)

<https://www.schmalz.com/10.01.01.12919>



## SGP 34 FPM-65 N033

Part no.: 10.01.01.12919

Homepage > Vacuum Technology for Automation > Vacuum Components > Vacuum Suction Cups > Suction Cups for Plastic Films and Paper >

SGP 34 FPM-65 N033

### Flat suction cup (round) for careful gripping of paper, plastic film, etc.



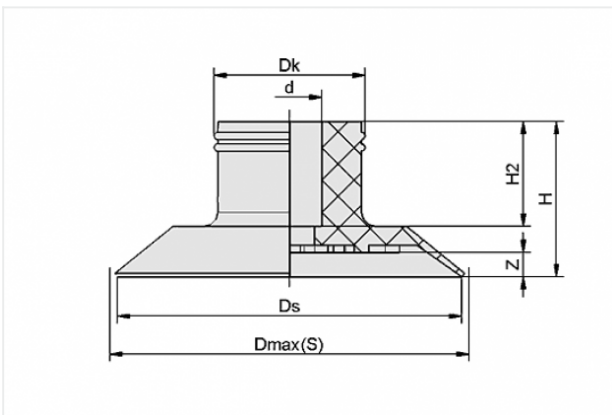
Size: 34

Suction cup material:

Fluorocautchuc FPM

Material hardness: 65 °Sh

### Design Data



Attribute	Value
-----------	-------

d	11.2 mm
---	---------

Dk	15.2 mm
----	---------

Dmax(S)	37.5 mm
---------	---------

Ds	34 mm
----	-------

H	23 mm
---	-------

H2	16.8 mm
----	---------

Z	2.2 mm
---	--------

### Technical Data

Attribute	Value
-----------	-------

Suction force	25 N
---------------	------

### Contact to Schmalz

J. Schmalz GmbH | Johannes-Schmalz-Straße, 72293 Glatten, Deutschland | +49 7443 2403-102 | [customercenter@schmalz.de](mailto:customercenter@schmalz.de)

<b>Attribute</b>	<b>Value</b>
Volume	3.7 cm <sup>3</sup>
Size	34
Nipple	N 033
Number of folds	0
Suction cup material	Fluorocautchuc FPM
Material hardness	65 °Sh
Weight	5.6 g
Product family	SGP

---

---