

Flat suction cup (round)

SGP 30 SI-50 N033

Part no.: 10.01.01.01064

<https://www.schmalz.com/10.01.01.01064>



Homepage > Vacuum Technology for Automation > Vacuum Components > Vacuum Suction Cups > Suction Cups for Plastic Films and Paper >

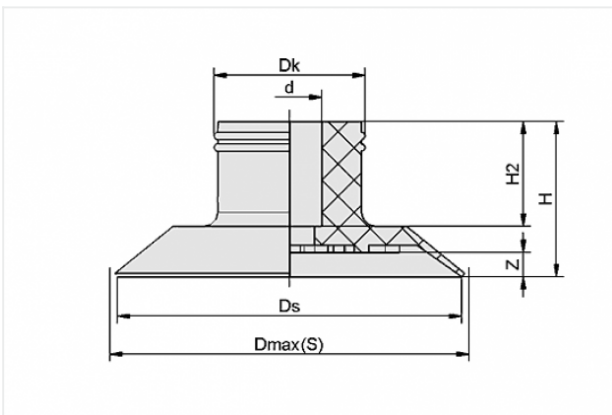
SGP 30 SI-50 N033

Flat suction cup (round) for careful gripping of paper, plastic film, etc.



Size: 30
Suction cup material: Silicone SI
Material hardness: 50 °Sh
Material characteristics:
FDA-compatible

Design Data



Attribute	Value
-----------	-------

d	11.2 mm
---	---------

Dk	15.6 mm
----	---------

Dmax(S)	32 mm
---------	-------

Ds	30 mm
----	-------

H	22.2 mm
---	---------

H2	15.7 mm
----	---------

Z	2 mm
---	------

Technical Data

Attribute	Value
-----------	-------

Suction force	19 N
---------------	------

Contact to Schmalz

J. Schmalz GmbH | Johannes-Schmalz-Straße, 72293 Glatten, Deutschland | +49 7443 2403-102 | customercenter@schmalz.de

Attribute	Value
Volume	3 cm ³
Size	30
Nipple	N 033
Number of folds	0
Suction cup material	Silicone SI
Material hardness	50 °Sh
Weight	3.1 g
Product family	SGP

Accessories



SA-NIP N033 G1/4-AG DN550

Part no. 10.01.01.00818

Suction cup connection nipple

Nipple: N 033

Thread G1: G1/4-M

Overall length: 28 mm

Fitting length: 5 mm

Nominal size: 5,50 mm

Material: Aluminium

Spanner size SW2: 6 mm



SA-NIP N033 G1/4-IG DN550

Part no. 10.01.01.00817

Suction cup connection nipple

Nipple: N 033

Thread G1: G1/4-F

Overall length: 28 mm

Fitting length: 15 mm

Nominal size: 5,50 mm

Material: Aluminium

Spanner size SW2: 6 mm

