

# Flat suction cup (round)

<https://www.schmalz.com/10.01.01.00791>



## SGPN 30 NK-40 G1/4-AG

Part no.: 10.01.01.00791

Homepage > Vacuum Technology for Automation > Vacuum Components > Vacuum Suction Cups > Suction Cups for Plastic Films and Paper >

Flat Suction Cups SGPN > SGPN 30 NK-40 G1/4-AG

## Flat suction cup (round) for careful gripping of paper, plastic film, etc.



Size: 30

Suction cup material:

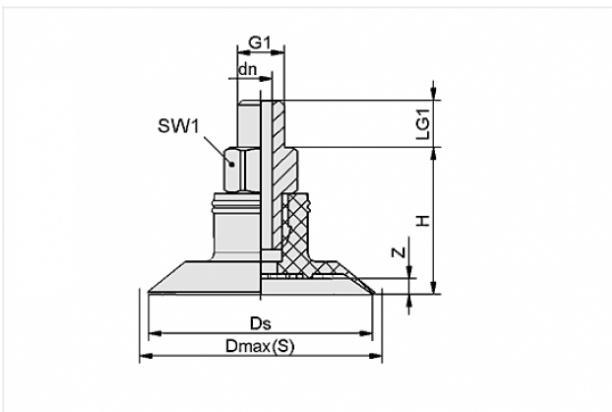
Natural Rubber NK

Material hardness: 40 °Sh

Nipple material: Aluminium

Vacuum connection: G1/4-M

### Design Data



Attribute	Value
-----------	-------

dn	5.5 mm
----	--------

Dmax(S)	32 mm
---------	-------

Ds	30 mm
----	-------

G1	G1/4"-M
----	---------

H	27.2 mm
---	---------

LG1	10 mm
-----	-------

SW1	17 mm
-----	-------

Z	2 mm
---	------

### Technical Data

#### Contact to Schmalz

J. Schmalz GmbH | Johannes-Schmalz-Straße, 72293 Glatten, Deutschland | +49 7443 2403-102 | [customercenter@schmalz.de](mailto:customercenter@schmalz.de)

Attribute	Value
Suction force	19 N
Volume	3 cm <sup>3</sup>
Internal hose diameter (recom.)	4 mm
Size	30
Number of folds	0
Suction cup material	Natural Rubber NK
Material hardness	40 °Sh
Weight	11 g
Product family	SGPN

**Note:**

- Suction force: The specified suction forces are theoretical values at a vacuum of -0.6 bar and with a smooth, dry workpiece surface - they do not include a safety factor
- Hose diameter: The recommended hose diameter refers to a hose length of approx. 2 m

**Spare Parts**



**SA-NIP N033 G1/4-AG DN550**

Part no. 10.01.01.00818

Suction cup connection nipple

Nipple: N 033

Thread G1: G1/4-M

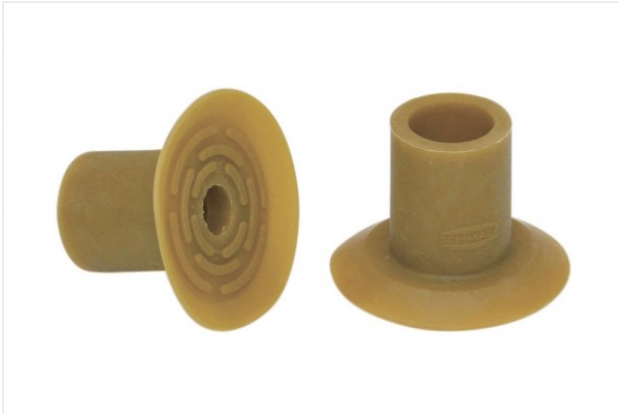
Overall length: 28 mm

Fitting length: 5 mm

Nominal size: 5,50 mm

Material: Aluminium

Spanner size SW2: 6 mm



**SGP 30 NK-40 N033**

Part no. 10.01.01.00787

Flat suction cup (round) for careful gripping of paper, plastic film, etc.

Size: 30

Suction cup material:

Natural Rubber NK

Material hardness: 40 °Sh