

# Flat suction cup (round)

<https://www.schmalz.com/10.01.01.12395>



## SGP 30 HT1-60 N033

Part no.: 10.01.01.12395

Homepage > Vacuum Technology for Automation > Vacuum Components > Vacuum Suction Cups > Suction Cups for Plastic Films and Paper >

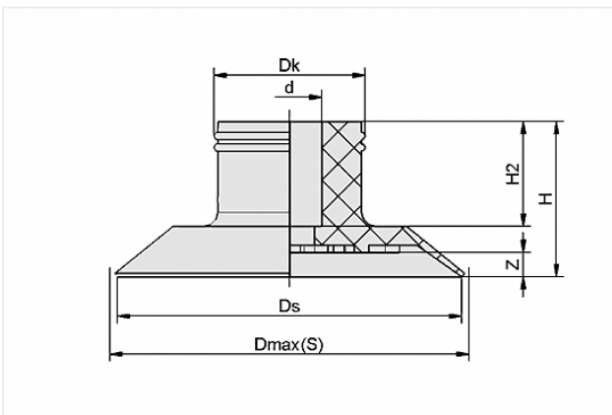
SGP 30 HT1-60 N033

### Flat suction cup (round) for careful gripping of paper, plastic film, etc.



Size: 30  
Suction cup material:  
High temp material HT1  
Material hardness: 60 °Sh  
Material property: imprint-free

#### Design Data



Attribute	Value
-----------	-------

d	11.2 mm
---	---------

Dk	15.6 mm
----	---------

Dmax(S)	32 mm
---------	-------

Ds	30 mm
----	-------

H	22.2 mm
---	---------

H2	15.7 mm
----	---------

Z	2 mm
---	------

#### Technical Data

Attribute	Value
-----------	-------

Suction force	19 N
---------------	------

#### Contact to Schmalz

J. Schmalz GmbH | Johannes-Schmalz-Straße, 72293 Glatten, Deutschland | +49 7443 2403-102 | [customercenter@schmalz.de](mailto:customercenter@schmalz.de)

<b>Attribute</b>	<b>Value</b>
Volume	3 cm <sup>3</sup>
Size	30
Nipple	N 033
Number of folds	0
Suction cup material	High temp material HT1
Material hardness	60 °Sh
Weight	3.1 g
Product family	SGP

---

---