

# Flat suction cup (round)

<https://www.schmalz.com/10.01.01.11986>



## SGPN 24 SI-50 M5-AG

Part no.: 10.01.01.11986

Homepage > Vacuum Technology for Automation > Vacuum Components > Vacuum Suction Cups > Suction Cups for Plastic Films and Paper >

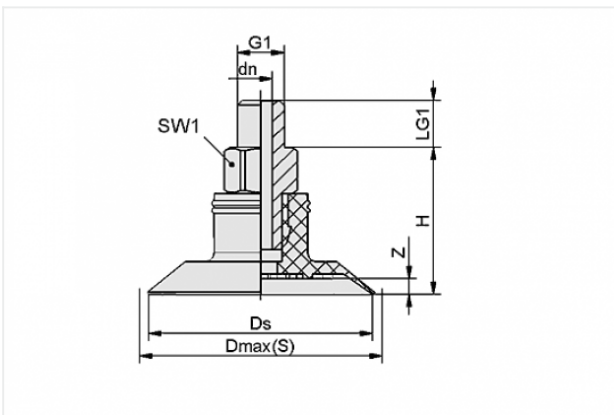
Flat Suction Cups SGPN > SGPN 24 SI-50 M5-AG

### Flat suction cup (round) for careful gripping of paper, plastic film, etc.



Size: 24  
Suction cup material: Silicone SI  
Material hardness: 50 °Sh  
Material characteristics:  
FDA-compatible  
Nipple material: Aluminium  
Vacuum connection: M5-M

#### Design Data



Attribute	Value
-----------	-------

dn	2.5 mm
----	--------

Dmax(S)	25.5 mm
---------	---------

Ds	24 mm
----	-------

G1	M5-M
----	------

H	15.8 mm
---	---------

LG1	5 mm
-----	------

SW1	7 mm
-----	------

Z	1.7 mm
---	--------

#### Technical Data

#### Contact to Schmalz

J. Schmalz GmbH | Johannes-Schmalz-Straße, 72293 Glatten, Deutschland | +49 7443 2403-102 | [customercenter@schmalz.de](mailto:customercenter@schmalz.de)

Attribute	Value
Suction force	11 N
Volume	0.851 cm <sup>3</sup>
Internal hose diameter (recom.)	4 mm
Size	24
Number of folds	0
Suction cup material	Silicone SI
Material hardness	50 °Sh
Weight	2.1 g
Product family	SGPN

**Note:**

- Suction force: The specified suction forces are theoretical values at a vacuum of -0.6 bar and with a smooth, dry workpiece surface - they do not include a safety factor
- Hose diameter: The recommended hose diameter refers to a hose length of approx. 2 m

**Spare Parts**



**SA-NIP N016 M5-AG DN250**

Part no. 10.01.06.00123

Suction cup connection nipple

Nipple: N 016

Thread G1: M5-M

Overall length: 16 mm

Fitting length: 5 mm

Nominal size: 2,50 mm

Material: Aluminium



**SGP 24 SI-50 N016**

Part no. 10.01.01.10577

Flat suction cup (round) for careful gripping of paper, plastic film, etc.

Size: 24

Suction cup material: Silicone SI

Material hardness: 50 °Sh

Material characteristics:

FDA-compatible