

Flat suction cup (round)

<https://www.schmalz.com/10.01.01.11979>



SGPN 24 NK-40 M5-AG

Part no.: 10.01.01.11979

Homepage > Vacuum Technology for Automation > Vacuum Components > Vacuum Suction Cups > Suction Cups for Plastic Films and Paper >

Flat Suction Cups SGPN > SGPN 24 NK-40 M5-AG

Flat suction cup (round) for careful gripping of paper, plastic film, etc.



Size: 24

Suction cup material:

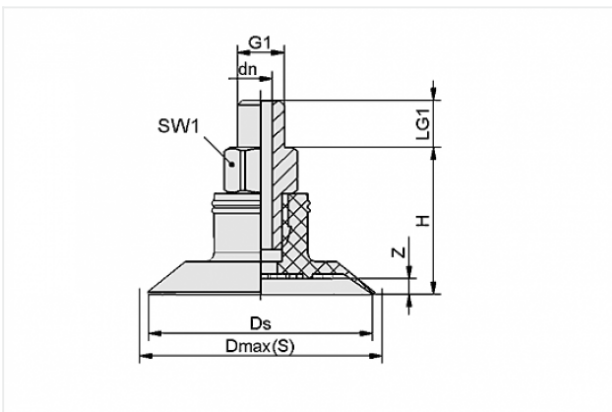
Natural Rubber NK

Material hardness: 40 °Sh

Nipple material: Aluminium

Vacuum connection: M5-M

Design Data



Attribute	Value
-----------	-------

dn	2.5 mm
----	--------

Dmax(S)	25.5 mm
---------	---------

Ds	24 mm
----	-------

G1	M5-M
----	------

H	15.8 mm
---	---------

LG1	5 mm
-----	------

SW1	7 mm
-----	------

Z	1.7 mm
---	--------

Technical Data

Contact to Schmalz

J. Schmalz GmbH | Johannes-Schmalz-Straße, 72293 Glatten, Deutschland | +49 7443 2403-102 | customercenter@schmalz.de

Attribute	Value
Suction force	11 N
Volume	0.851 cm ³
Internal hose diameter (recom.)	4 mm
Size	24
Number of folds	0
Suction cup material	Natural Rubber NK
Material hardness	40 °Sh
Weight	2.1 g
Product family	SGPN

Note:

- Suction force: The specified suction forces are theoretical values at a vacuum of -0.6 bar and with a smooth, dry workpiece surface - they do not include a safety factor
- Hose diameter: The recommended hose diameter refers to a hose length of approx. 2 m

Spare Parts



SA-NIP N016 M5-AG DN250

Part no. 10.01.06.00123
 Suction cup connection nipple
 Nipple: N 016
 Thread G1: M5-M
 Overall length: 16 mm
 Fitting length: 5 mm
 Nominal size: 2,50 mm
 Material: Aluminium



SGP 24 NK-40 N016

Part no. 10.01.01.10320

Flat suction cup (round) for careful gripping of paper, plastic film, etc.

Size: 24

Suction cup material:

Natural Rubber NK

Material hardness: 40 °Sh