

Flat suction cup (round)

<https://www.schmalz.com/10.01.01.12402>



SGP 24 HT1-60 N016

Part no.: 10.01.01.12402

Homepage > Vacuum Technology for Automation > Vacuum Components > Vacuum Suction Cups > Suction Cups for Plastic Films and Paper >

SGP 24 HT1-60 N016

Flat suction cup (round) for careful gripping of paper, plastic film, etc.



Size: 24

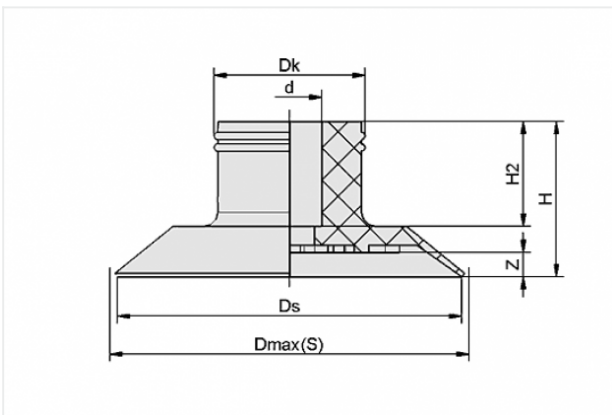
Suction cup material:

High temp material HT1

Material hardness: 60 °Sh

Material property: imprint-free

Design Data



Attribute	Value
-----------	-------

d	4.5 mm
---	--------

Dk	10.5 mm
----	---------

Dmax(S)	25.5 mm
---------	---------

Ds	24 mm
----	-------

H	10.8 mm
---	---------

H2	7.3 mm
----	--------

Z	1.7 mm
---	--------

Technical Data

Attribute	Value
-----------	-------

Suction force	11 N
---------------	------

Contact to Schmalz

J. Schmalz GmbH | Johannes-Schmalz-Straße, 72293 Glatten, Deutschland | +49 7443 2403-102 | customercenter@schmalz.de

Attribute	Value
Volume	0.851 cm ³
Size	24
Nipple	N 016
Number of folds	0
Suction cup material	High temp material HT1
Material hardness	60 °Sh
Weight	1.1 g
Product family	SGP
