

Flat suction cup (round)

<https://www.schmalz.com/10.01.01.11984>



SGPN 20 SI-50 G1/8-AG

Part no.: 10.01.01.11984

Homepage > Vacuum Technology for Automation > Vacuum Components > Vacuum Suction Cups > Suction Cups for Plastic Films and Paper >

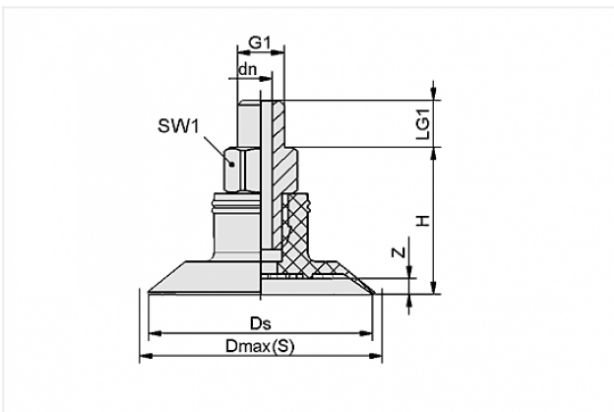
Flat Suction Cups SGPN > SGPN 20 SI-50 G1/8-AG

Flat suction cup (round) for careful gripping of paper, plastic film, etc.



Size: 20
Suction cup material: Silicone SI
Material hardness: 50 °Sh
Material characteristics:
FDA-compatible
Nipple material: Aluminium
Vacuum connection: G1/8-M

Design Data



Attribute	Value
dn	3.5 mm
Dmax(S)	22 mm
Ds	20 mm
G1	G1/8"-M
H	16.4 mm
LG1	7.5 mm
SW1	14 mm
Z	1.5 mm

Technical Data

Contact to Schmalz

J. Schmalz GmbH | Johannes-Schmalz-Straße, 72293 Glatten, Deutschland | +49 7443 2403-102 | customercenter@schmalz.de

Attribute	Value
Suction force	8.5 N
Volume	0.6 cm ³
Internal hose diameter (recom.)	2 mm
Size	20
Number of folds	0
Suction cup material	Silicone SI
Material hardness	50 °Sh
Weight	5.6 g
Product family	SGPN

Note:

- Suction force: The specified suction forces are theoretical values at a vacuum of -0.6 bar and with a smooth, dry workpiece surface - they do not include a safety factor
- Hose diameter: The recommended hose diameter refers to a hose length of approx. 2 m

Spare Parts



SA-NIP N016 G1/8-AG DN350

Part no. 10.01.06.05735

Suction cup connection nipple

Nipple: N 016

Thread G1: G1/8-M

Overall length: 20 mm

Fitting length: 6 mm

Nominal size: 3,50 mm

Material: Aluminium



SGP 20 SI-50 N016

Part no. 10.01.01.11571

Flat suction cup (round) for careful gripping of paper, plastic film, etc.

Size: 20

Suction cup material: Silicone SI

Material hardness: 50 °Sh

Material characteristics:

FDA-compatible