

Flat suction cup (round)

<https://www.schmalz.com/10.01.01.10180>



SGPN 20 NK-40 G1/8-IG

Part no.: 10.01.01.10180

Homepage > Vacuum Technology for Automation > Vacuum Components > Vacuum Suction Cups > Suction Cups for Plastic Films and Paper >

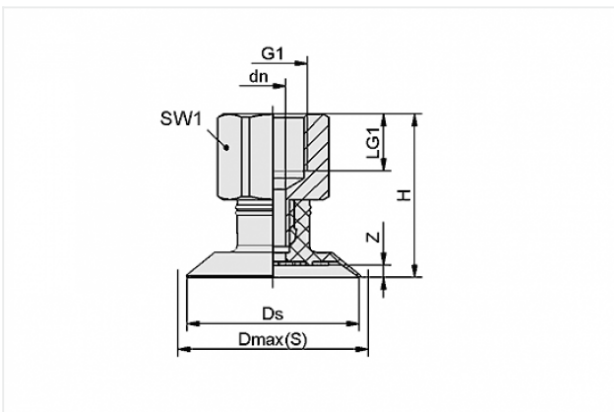
Flat Suction Cups SGPN > SGPN 20 NK-40 G1/8-IG

Flat suction cup (round) for careful gripping of paper, plastic film, etc.



Size: 20
Suction cup material:
Natural Rubber NK
Material hardness: 40 °Sh
Nipple material: Aluminium
Vacuum connection: G1/8-F

Design Data



| Attribute | Value |
|-----------|-------|
|-----------|-------|

| | |
|----|--------|
| dn | 3.5 mm |
|----|--------|

| | |
|---------|-------|
| Dmax(S) | 22 mm |
|---------|-------|

| | |
|----|-------|
| Ds | 20 mm |
|----|-------|

| | |
|----|---------|
| G1 | G1/8"-F |
|----|---------|

| | |
|---|---------|
| H | 22.4 mm |
|---|---------|

| | |
|-----|------|
| LG1 | 8 mm |
|-----|------|

| | |
|-----|-------|
| SW1 | 14 mm |
|-----|-------|

| | |
|---|--------|
| Z | 1.5 mm |
|---|--------|

Technical Data

Contact to Schmalz

J. Schmalz GmbH | Johannes-Schmalz-Straße, 72293 Glatten, Deutschland | +49 7443 2403-102 | customercenter@schmalz.de

| Attribute | Value |
|---------------------------------|---------------------|
| Suction force | 8.5 N |
| Volume | 0.6 cm ³ |
| Internal hose diameter (recom.) | 2 mm |
| Size | 20 |
| Number of folds | 0 |
| Suction cup material | Natural Rubber NK |
| Material hardness | 40 °Sh |
| Weight | 4.8 g |
| Product family | SGPN |

Note:

- Suction force: The specified suction forces are theoretical values at a vacuum of -0.6 bar and with a smooth, dry workpiece surface - they do not include a safety factor
- Hose diameter: The recommended hose diameter refers to a hose length of approx. 2 m

Spare Parts



SA-NIP N016 G1/8-IG DN350

Part no. 10.01.06.05731

Suction cup connection nipple

Nipple: N 016

Thread G1: G1/8-F

Overall length: 18.5 mm

Fitting length: 12 mm

Nominal size: 3,50 mm

Material: Aluminium



SGP 20 NK-40 N016

Part no. 10.01.01.10319

Flat suction cup (round) for careful gripping of paper, plastic film, etc.

Size: 20

Suction cup material:

Natural Rubber NK

Material hardness: 40 °Sh