

Flat suction cup (round)

<https://www.schmalz.com/10.01.01.12909>



SGP 20 FPM-65 N016

Part no.: 10.01.01.12909

Homepage > Vacuum Technology for Automation > Vacuum Components > Vacuum Suction Cups > Suction Cups for Plastic Films and Paper >

SGP 20 FPM-65 N016

Flat suction cup (round) for careful gripping of paper, plastic film, etc.



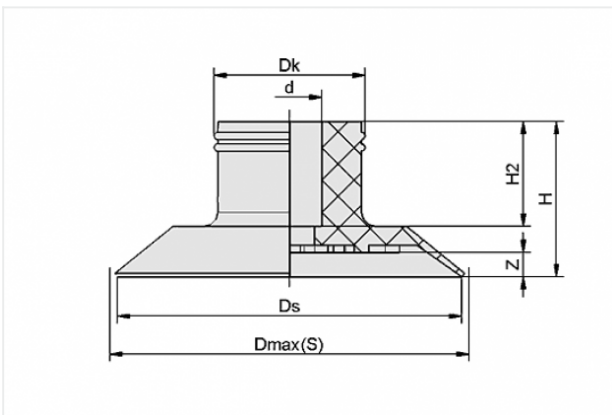
Size: 20

Suction cup material:

Fluorocautchuc FPM

Material hardness: 65 °Sh

Design Data



Attribute	Value
-----------	-------

d	4.5 mm
---	--------

Dk	11 mm
----	-------

Dmax(S)	22 mm
---------	-------

Ds	20 mm
----	-------

H	10.4 mm
---	---------

H2	7.1 mm
----	--------

Z	1.5 mm
---	--------

Technical Data

Attribute	Value
-----------	-------

Suction force	8.5 N
---------------	-------

Contact to Schmalz

J. Schmalz GmbH | Johannes-Schmalz-Straße, 72293 Glatten, Deutschland | +49 7443 2403-102 | customercenter@schmalz.de

Attribute	Value
Volume	0.599 cm ³
Size	20
Nipple	N 016
Number of folds	0
Suction cup material	Fluorocautchuc FPM
Material hardness	65 °Sh
Weight	1.5 g
Product family	SGP
