

Flat suction cup (round)

<https://www.schmalz.com/10.01.01.11571>



SGP 20 SI-50 N016

Part no.: 10.01.01.11571

Homepage > Vacuum Technology for Automation > Vacuum Components > Vacuum Suction Cups > Suction Cups for Plastic Films and Paper >

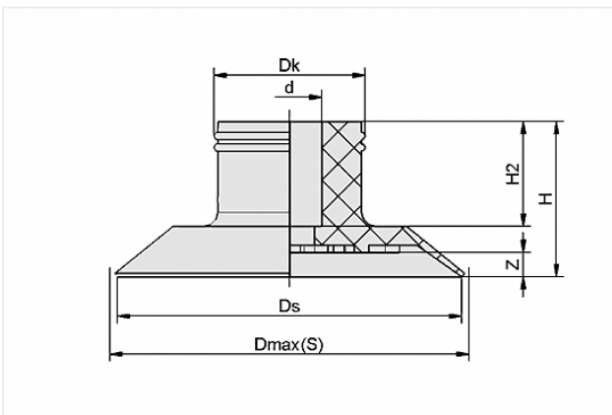
SGP 20 SI-50 N016

Flat suction cup (round) for careful gripping of paper, plastic film, etc.



Size: 20
Suction cup material: Silicone SI
Material hardness: 50 °Sh
Material characteristics:
FDA-compatible

Design Data



Attribute	Value
-----------	-------

d	4.5 mm
---	--------

Dk	11 mm
----	-------

Dmax(S)	22 mm
---------	-------

Ds	20 mm
----	-------

H	10.4 mm
---	---------

H2	7.1 mm
----	--------

Z	1.5 mm
---	--------

Technical Data

Attribute	Value
-----------	-------

Suction force	8.5 N
---------------	-------

Contact to Schmalz

J. Schmalz GmbH | Johannes-Schmalz-Straße, 72293 Glatten, Deutschland | +49 7443 2403-102 | customercenter@schmalz.de

Attribute	Value
Volume	0.599 cm ³
Size	20
Nipple	N 016
Number of folds	0
Suction cup material	Silicone SI
Material hardness	50 °Sh
Weight	1.5 g
Product family	SGP

Accessories



SA-NIP N016 M5-AG DN250

Part no. 10.01.06.00123

Suction cup connection nipple

Nipple: N 016

Thread G1: M5-M

Overall length: 16 mm

Fitting length: 5 mm

Nominal size: 2,50 mm

Material: Aluminium



SA-NIP N016 G1/8-IG DN350

Part no. 10.01.06.05731

Suction cup connection nipple

Nipple: N 016

Thread G1: G1/8-F

Overall length: 18.5 mm

Fitting length: 12 mm

Nominal size: 3,50 mm

Material: Aluminium



SA-NIP N016 G1/8-AG DN350

Part no. 10.01.06.05735

Suction cup connection nipple

Nipple: N 016

Thread G1: G1/8-M

Overall length: 20 mm

Fitting length: 6 mm

Nominal size: 3,50 mm

Material: Aluminium