

Flat suction cup (round)

<https://www.schmalz.com/10.01.01.11983>



SGPN 20 SI-50 M5-AG

Part no.: 10.01.01.11983

Homepage > Vacuum Technology for Automation > Vacuum Components > Vacuum Suction Cups > Suction Cups for Plastic Films and Paper >

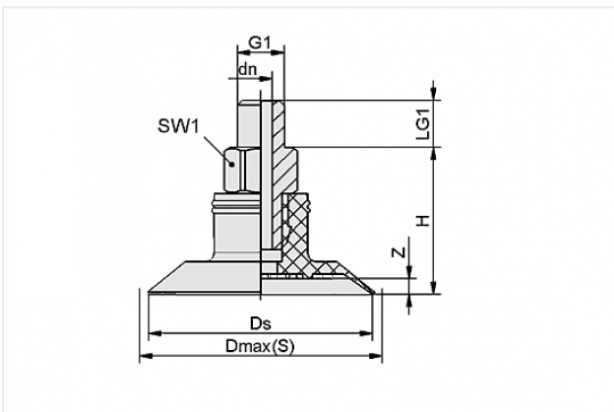
Flat Suction Cups SGPN > SGPN 20 SI-50 M5-AG

Flat suction cup (round) for careful gripping of paper, plastic film, etc.



Size: 20
Suction cup material: Silicone SI
Material hardness: 50 °Sh
Material characteristics:
FDA-compatible
Nipple material: Aluminium
Vacuum connection: M5-M

Design Data



Attribute	Value
-----------	-------

dn	2.5 mm
----	--------

Dmax(S)	22 mm
---------	-------

Ds	20 mm
----	-------

G1	M5-M
----	------

H	15.4 mm
---	---------

LG1	5 mm
-----	------

SW1	7 mm
-----	------

Z	1.5 mm
---	--------

Technical Data

Contact to Schmalz

J. Schmalz GmbH | Johannes-Schmalz-Straße, 72293 Glatten, Deutschland | +49 7443 2403-102 | customercenter@schmalz.de

Attribute	Value
Suction force	8.5 N
Volume	0.6 cm ³
Internal hose diameter (recom.)	2 mm
Size	20
Number of folds	0
Suction cup material	Silicone SI
Material hardness	50 °Sh
Weight	2.5 g
Product family	SGPN

Note:

- Suction force: The specified suction forces are theoretical values at a vacuum of -0.6 bar and with a smooth, dry workpiece surface - they do not include a safety factor
- Hose diameter: The recommended hose diameter refers to a hose length of approx. 2 m

Spare Parts



SA-NIP N016 M5-AG DN250

Part no. 10.01.06.00123

Suction cup connection nipple

Nipple: N 016

Thread G1: M5-M

Overall length: 16 mm

Fitting length: 5 mm

Nominal size: 2,50 mm

Material: Aluminium



SGP 20 SI-50 N016

Part no. 10.01.01.11571

Flat suction cup (round) for careful gripping of paper, plastic film, etc.

Size: 20

Suction cup material: Silicone SI

Material hardness: 50 °Sh

Material characteristics:

FDA-compatible