

# Flat suction cup (round)

<https://www.schmalz.com/10.01.01.10319>



## SGP 20 NK-40 N016

Part no.: 10.01.01.10319

Homepage > Vacuum Technology for Automation > Vacuum Components > Vacuum Suction Cups > Suction Cups for Plastic Films and Paper >

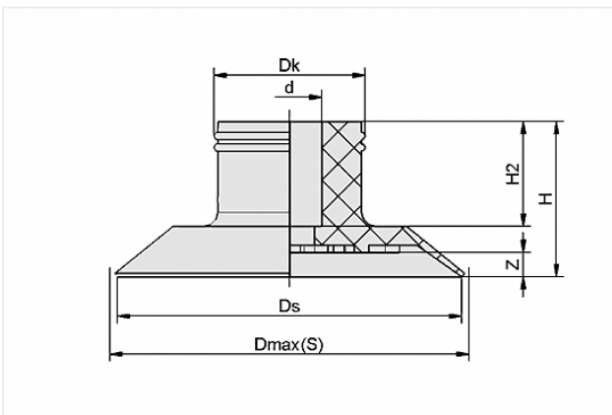
SGP 20 NK-40 N016

### Flat suction cup (round) for careful gripping of paper, plastic film, etc.



Size: 20  
Suction cup material:  
Natural Rubber NK  
Material hardness: 40 °Sh

#### Design Data



Attribute	Value
-----------	-------

d	4.5 mm
---	--------

Dk	11 mm
----	-------

Dmax(S)	22 mm
---------	-------

Ds	20 mm
----	-------

H	10.4 mm
---	---------

H2	7.1 mm
----	--------

Z	1.5 mm
---	--------

#### Technical Data

Attribute	Value
-----------	-------

Suction force	8.5 N
---------------	-------

#### Contact to Schmalz

J. Schmalz GmbH | Johannes-Schmalz-Straße, 72293 Glatten, Deutschland | +49 7443 2403-102 | [customercenter@schmalz.de](mailto:customercenter@schmalz.de)

Attribute	Value
Volume	0.599 cm <sup>3</sup>
Size	20
Nipple	N 016
Number of folds	0
Suction cup material	Natural Rubber NK
Material hardness	40 °Sh
Weight	1.5 g
Product family	SGP

## Accessories



### SA-NIP N016 M5-AG DN250

Part no. 10.01.06.00123

Suction cup connection nipple

Nipple: N 016

Thread G1: M5-M

Overall length: 16 mm

Fitting length: 5 mm

Nominal size: 2,50 mm

Material: Aluminium



### SA-NIP N016 G1/8-IG DN350

Part no. 10.01.06.05731

Suction cup connection nipple

Nipple: N 016

Thread G1: G1/8-F

Overall length: 18.5 mm

Fitting length: 12 mm

Nominal size: 3,50 mm

Material: Aluminium



**SA-NIP N016 G1/8-AG DN350**

Part no. 10.01.06.05735

Suction cup connection nipple

Nipple: N 016

Thread G1: G1/8-M

Overall length: 20 mm

Fitting length: 6 mm

Nominal size: 3,50 mm

Material: Aluminium