

# Flat suction cup (round)

<https://www.schmalz.com/10.01.01.11981>



## SGPN 15 SI-50 G1/8-AG

Part no.: 10.01.01.11981

Homepage > Vacuum Technology for Automation > Vacuum Components > Vacuum Suction Cups > Suction Cups for Plastic Films and Paper >

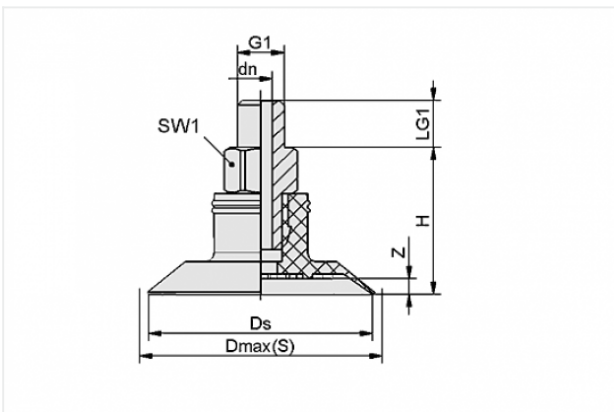
Flat Suction Cups SGPN > SGPN 15 SI-50 G1/8-AG

### Flat suction cup (round) for careful gripping of paper, plastic film, etc.



Size: 15  
Suction cup material: Silicone SI  
Material hardness: 50 °Sh  
Material characteristics:  
FDA-compatible  
Nipple material: Aluminium  
Vacuum connection: G1/8-M

### Design Data



Attribute	Value
-----------	-------

dn	3.5 mm
----	--------

Dmax(S)	15.5 mm
---------	---------

Ds	14.5 mm
----	---------

G1	G1/8"-M
----	---------

H	16 mm
---	-------

LG1	7.5 mm
-----	--------

SW1	14 mm
-----	-------

Z	0.9 mm
---	--------

### Technical Data

#### Contact to Schmalz

J. Schmalz GmbH | Johannes-Schmalz-Straße, 72293 Glatten, Deutschland | +49 7443 2403-102 | [customercenter@schmalz.de](mailto:customercenter@schmalz.de)

Attribute	Value
Suction force	5.5 N
Volume	0.278 cm <sup>3</sup>
Internal hose diameter (recom.)	2 mm
Size	15
Number of folds	0
Suction cup material	Silicone SI
Material hardness	50 °Sh
Weight	4.7 g
Product family	SGPN

**Note:**

- Suction force: The specified suction forces are theoretical values at a vacuum of -0.6 bar and with a smooth, dry workpiece surface - they do not include a safety factor
- Hose diameter: The recommended hose diameter refers to a hose length of approx. 2 m

**Spare Parts**



**SA-NIP N016 G1/8-AG DN350**

Part no. 10.01.06.05735

Suction cup connection nipple

Nipple: N 016

Thread G1: G1/8-M

Overall length: 20 mm

Fitting length: 6 mm

Nominal size: 3,50 mm

Material: Aluminium



**SGP 15 SI-50 N016**

Part no. 10.01.01.10574

Flat suction cup (round) for careful gripping of paper, plastic film, etc.

Size: 15

Suction cup material: Silicone SI

Material hardness: 50 °Sh

Material characteristics:

FDA-compatible