

# Flat suction cup (round)

<https://www.schmalz.com/10.01.01.12397>



## SGPN 15 HT1-60 G1/8-AG

Part no.: 10.01.01.12397

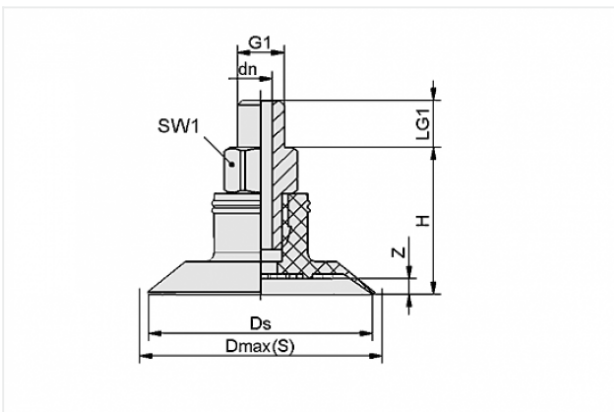
Homepage > Vacuum Technology for Automation > Vacuum Components > Vacuum Suction Cups > Suction Cups for Plastic Films and Paper > Flat Suction Cups SGPN > SGPN 15 HT1-60 G1/8-AG

### Flat suction cup (round) for careful gripping of paper, plastic film, etc.



Size: 15  
Suction cup material:  
High temp material HT1  
Material hardness: 60 °Sh  
Material property: non-marking  
Nipple material: Aluminium  
Vacuum connection: G1/8-M

#### Design Data



Attribute	Value
-----------	-------

dn	3.5 mm
Dmax(S)	15.5 mm
Ds	14.5 mm
G1	G1/8"-M
H	16 mm
LG1	7.5 mm
SW1	14 mm
Z	0.9 mm

#### Technical Data

#### Contact to Schmalz

J. Schmalz GmbH | Johannes-Schmalz-Straße, 72293 Glatten, Deutschland | +49 7443 2403-102 | [customercenter@schmalz.de](mailto:customercenter@schmalz.de)

Attribute	Value
Suction force	5.5 N
Volume	0.278 cm <sup>3</sup>
Internal hose diameter (recom.)	2 mm
Size	15
Number of folds	0
Suction cup material	High temp material HT1
Material hardness	60 °Sh
Weight	4.7 g
Product family	SGPN

**Note:**

- Suction force: The specified suction forces are theoretical values at a vacuum of -0.6 bar and with a smooth, dry workpiece surface - they do not include a safety factor
- Hose diameter: The recommended hose diameter refers to a hose length of approx. 2 m

**Spare Parts**



**SA-NIP N016 G1/8-AG DN350**

Part no. 10.01.06.05735

Suction cup connection nipple

Nipple: N 016

Thread G1: G1/8-M

Overall length: 20 mm

Fitting length: 6 mm

Nominal size: 3,50 mm

Material: Aluminium



**SGP 15 HT1-60 N016**

Part no. 10.01.01.12394

Flat suction cup (round) for careful gripping of paper, plastic film, etc.

Size: 15

Suction cup material:

High temp material HT1

Material hardness: 60 °Sh

Material property: imprint-free