

# Flat suction cup (round)

<https://www.schmalz.com/10.01.01.12908>



## SGP 15 FPM-65 N016

Part no.: 10.01.01.12908

Homepage > Vacuum Technology for Automation > Vacuum Components > Vacuum Suction Cups > Suction Cups for Plastic Films and Paper >

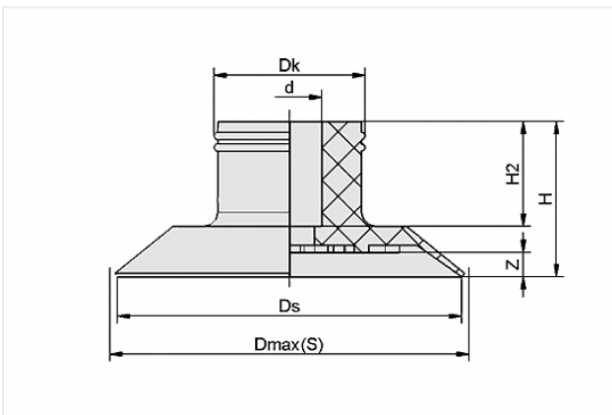
SGP 15 FPM-65 N016

### Flat suction cup (round) for careful gripping of paper, plastic film, etc.



Size: 15  
Suction cup material:  
Fluorocautchuc FPM  
Material hardness: 65 °Sh  
Material property: imprint-free

#### Design Data



Attribute	Value
-----------	-------

d	4.5 mm
---	--------

Dk	9.5 mm
----	--------

Dmax(S)	15.5 mm
---------	---------

Ds	14.5 mm
----	---------

H	10 mm
---	-------

H2	7.2 mm
----	--------

Z	0.9 mm
---	--------

#### Technical Data

Attribute	Value
-----------	-------

Suction force	5.5 N
---------------	-------

#### Contact to Schmalz

J. Schmalz GmbH | Johannes-Schmalz-Straße, 72293 Glatten, Deutschland | +49 7443 2403-102 | [customercenter@schmalz.de](mailto:customercenter@schmalz.de)

<b>Attribute</b>	<b>Value</b>
Volume	0.278 cm <sup>3</sup>
Size	15
Nipple	N 016
Number of folds	0
Suction cup material	Fluorocautchuc FPM
Material hardness	65 °Sh
Weight	0.7 g
Product family	SGP

---

---