

Flat suction cup (round)

<https://www.schmalz.com/10.01.01.11980>



SGPN 15 SI-50 M5-AG

Part no.: 10.01.01.11980

Homepage > Vacuum Technology for Automation > Vacuum Components > Vacuum Suction Cups > Suction Cups for Plastic Films and Paper >

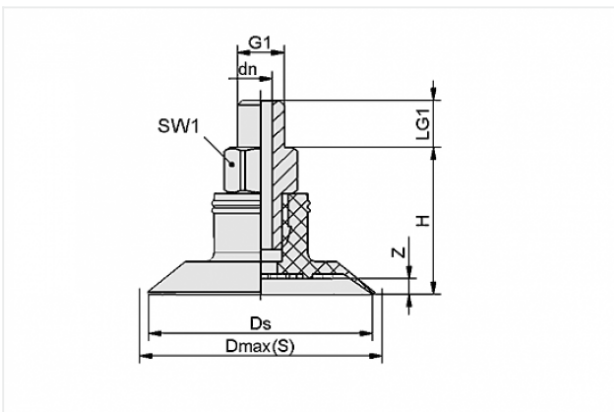
Flat Suction Cups SGPN > SGPN 15 SI-50 M5-AG

Flat suction cup (round) for careful gripping of paper, plastic film, etc.



Size: 15
Suction cup material: Silicone SI
Material hardness: 50 °Sh
Material characteristics:
FDA-compatible
Nipple material: Aluminium
Vacuum connection: M5-M

Design Data



Attribute	Value
-----------	-------

dn	2.5 mm
Dmax(S)	15.5 mm
Ds	14.5 mm
G1	M5-M
H	15 mm
LG1	5 mm
SW1	7 mm
Z	0.9 mm

Technical Data

Contact to Schmalz

J. Schmalz GmbH | Johannes-Schmalz-Straße, 72293 Glatten, Deutschland | +49 7443 2403-102 | customercenter@schmalz.de

Attribute	Value
Suction force	5.5 N
Volume	0.278 cm ³
Internal hose diameter (recom.)	2 mm
Size	15
Number of folds	0
Suction cup material	Silicone SI
Material hardness	50 °Sh
Weight	1.6 g
Product family	SGPN

Note:

- Suction force: The specified suction forces are theoretical values at a vacuum of -0.6 bar and with a smooth, dry workpiece surface - they do not include a safety factor
- Hose diameter: The recommended hose diameter refers to a hose length of approx. 2 m

Spare Parts



SA-NIP N016 M5-AG DN250

Part no. 10.01.06.00123

Suction cup connection nipple

Nipple: N 016

Thread G1: M5-M

Overall length: 16 mm

Fitting length: 5 mm

Nominal size: 2,50 mm

Material: Aluminium



SGP 15 SI-50 N016

Part no. 10.01.01.10574

Flat suction cup (round) for careful gripping of paper, plastic film, etc.

Size: 15

Suction cup material: Silicone SI

Material hardness: 50 °Sh

Material characteristics:

FDA-compatible