

Flat suction cup (round)

<https://www.schmalz.com/10.01.01.10318>



SGP 15 NK-40 N016

Part no.: 10.01.01.10318

Homepage > Vacuum Technology for Automation > Vacuum Components > Vacuum Suction Cups > Suction Cups for Plastic Films and Paper >

SGP 15 NK-40 N016

Flat suction cup (round) for careful gripping of paper, plastic film, etc.



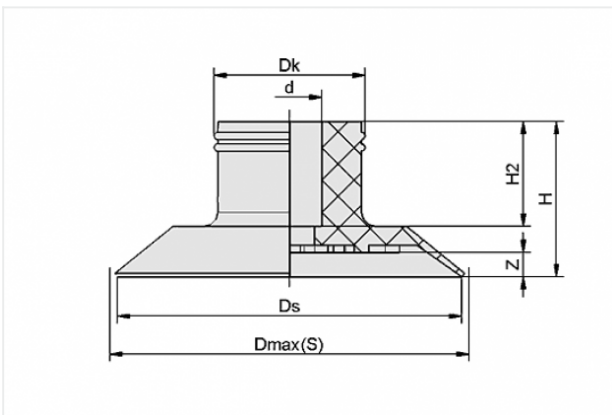
Size: 15

Suction cup material:

Natural Rubber NK

Material hardness: 40 °Sh

Design Data



Attribute	Value
-----------	-------

d	4.5 mm
---	--------

Dk	9.5 mm
----	--------

Dmax(S)	15.5 mm
---------	---------

Ds	14.5 mm
----	---------

H	10 mm
---	-------

H2	7.2 mm
----	--------

Z	0.9 mm
---	--------

Technical Data

Attribute	Value
-----------	-------

Suction force	5.5 N
---------------	-------

Contact to Schmalz

J. Schmalz GmbH | Johannes-Schmalz-Straße, 72293 Glatten, Deutschland | +49 7443 2403-102 | customercenter@schmalz.de

Attribute	Value
Volume	0.278 cm ³
Size	15
Nipple	N 016
Number of folds	0
Suction cup material	Natural Rubber NK
Material hardness	40 °Sh
Weight	0.7 g
Product family	SGP

Accessories



SA-NIP N016 M5-AG DN250

Part no. 10.01.06.00123

Suction cup connection nipple

Nipple: N 016

Thread G1: M5-M

Overall length: 16 mm

Fitting length: 5 mm

Nominal size: 2,50 mm

Material: Aluminium



SA-NIP N016 G1/8-IG DN350

Part no. 10.01.06.05731

Suction cup connection nipple

Nipple: N 016

Thread G1: G1/8-F

Overall length: 18.5 mm

Fitting length: 12 mm

Nominal size: 3,50 mm

Material: Aluminium



SA-NIP N016 G1/8-AG DN350

Part no. 10.01.06.05735

Suction cup connection nipple

Nipple: N 016

Thread G1: G1/8-M

Overall length: 20 mm

Fitting length: 6 mm

Nominal size: 3,50 mm

Material: Aluminium