

Testset TEST-SET VT VERPACKUNG

<https://www.schmalz.com/30.02.03.00226>



Part no.: 30.02.03.00226

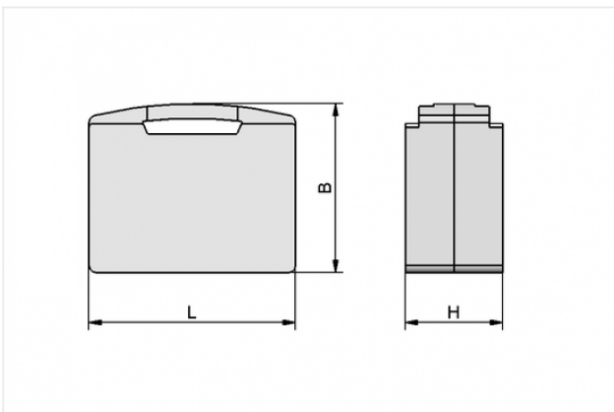
Homepage > Vacuum Technology for Automation > Vacuum Components > Vacuum Suction Cups > Suction Cups for Packaging > Schmalz Test Kit for the Packaging Industry > TEST-SET VT VERPACKUNG

Vacuum-Test-Set



Business area: Vacuum Components
Content: Packaging ind.
contains: more than 80 suction Pads

Design Data



Attribute	Value
-----------	-------

B	470 mm
---	--------

H	270 mm
---	--------

L	575 mm
---	--------

Technical Data

Attribute	Value
-----------	-------

Weight	3.17 kg
--------	---------

Contact to Schmalz

J. Schmalz GmbH | Johannes-Schmalz-Straße, 72293 Glatten, Deutschland | +49 7443 2403-102 | customercenter@schmalz.de

