

Bell suction cup (round)

<https://www.schmalz.com/10.01.19.00165>



SPG 33 SI-HD SC040

Part no.: 10.01.19.00165

Homepage > Vacuum Technology for Automation > Vacuum Components > Vacuum Suction Cups > Suction Cups for Packaging > Chocolate

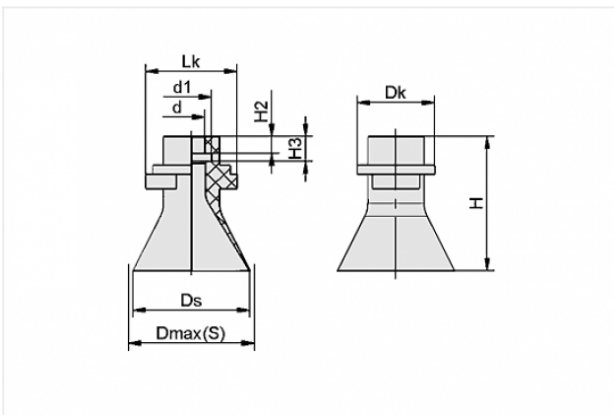
Suction Cups SPG > SPG 33 SI-HD SC040

Bell-shaped suction cup (round)



Size: 33
Suction cup material: Silicone SI-HD
Material characteristics:
FDA-compatible
Nipple: SC 040

Design Data



Attribute	Value
-----------	-------

d	7.3 mm
d1	11 mm
Dk	21.5 mm
Ds	32.1 mm
H	37.5 mm
H2	4.8 mm
H3	7 mm
Lk	25.5 mm

Technical Data

Contact to Schmalz

J. Schmalz GmbH | Johannes-Schmalz-Straße, 72293 Glatten, Deutschland | +49 7443 2403-102 | customercenter@schmalz.de

Attribute	Value
Volume	8.047 cm ³
Internal hose diameter (recom.)	4 mm
Size	33
Nipple	SC 040
Suction cup material	Silicone SI-HD
Weight	13.3 g
Product family	SPG

Note:

- Chocolate diameter: The suction force and operating vacuum are dependent on the geometry and surface characteristics of the chocolate. We recommend a maximum operating vacuum of -150 mbar
- Weight: For handling with high accelerations (up to 10g)

Accessories



SC 040 G1/8-AG

Part no. 10.01.06.02490

Connection element for suction cup SchmalzConnector

Connection geometry: 040

Vacuum connection: G1/8-M

Overall length: 20.2 mm

Fitting length: 6 mm

Nominal diameter dn: 4.1 mm



SC 040 G1/8-IG

Part no. 10.01.06.02482

Connection element for suction cup SchmalzConnector

Connection geometry: 040

Vacuum connection: G1/8-F

Overall length: 20.7 mm

Fitting length: 14 mm

Nominal diameter dn: 4.1 mm