

# Bell suction cup (round)

<https://www.schmalz.com/10.01.19.00002>



## SPG 33 SI-45 SC040

Part no.: 10.01.19.00002

Homepage > Vacuum Technology for Automation > Vacuum Components > Vacuum Suction Cups > Suction Cups for Packaging > Chocolate

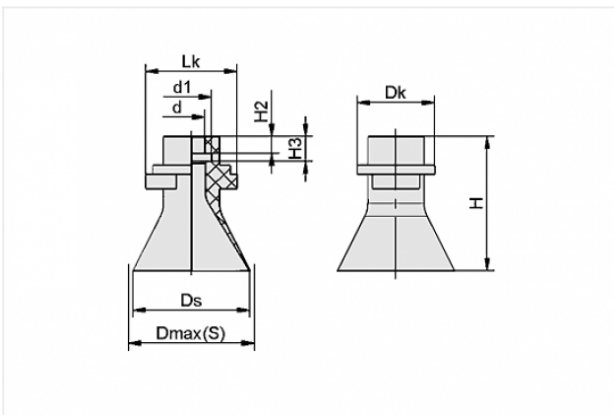
Suction Cups SPG > SPG 33 SI-45 SC040

## Bell-shaped suction cup (round)



Size: 33  
Suction cup material: Silicone SI  
Material hardness: 45 °Sh  
Material characteristics:  
FDA-compatible  
Nipple: SC 040

## Design Data



Attribute	Value
-----------	-------

d	7.3 mm
---	--------

d1	11 mm
----	-------

Dk	21.5 mm
----	---------

Ds	32.1 mm
----	---------

H	37.5 mm
---	---------

H2	4.8 mm
----	--------

H3	7 mm
----	------

Lk	25.5 mm
----	---------

## Technical Data

### Contact to Schmalz

J. Schmalz GmbH | Johannes-Schmalz-Straße, 72293 Glatten, Deutschland | +49 7443 2403-102 | [customercenter@schmalz.de](mailto:customercenter@schmalz.de)

Attribute	Value
Volume	8.047 cm <sup>3</sup>
Internal hose diameter (recom.)	4 mm
Size	33
Nipple	SC 040
Suction cup material	Silicone SI
Material hardness	45 °Sh
Weight	12.6 g
Product family	SPG

**Note:**

- Chocolate diameter: The suction force and operating vacuum are dependent on the geometry and surface characteristics of the chocolate. We recommend a maximum operating vacuum of -150 mbar
- Weight: For handling with high accelerations (up to 10g)

**Accessories**



**SC 040 G1/8-AG**

Part no. 10.01.06.02490

Connection element for suction cup SchmalzConnector

Connection geometry: 040

Vacuum connection: G1/8-M

Overall length: 20.2 mm

Fitting length: 6 mm

Nominal diameter dn: 4.1 mm



**SC 040 G1/8-IG**

Part no. 10.01.06.02482

Connection element for suction cup SchmalzConnector

Connection geometry: 040

Vacuum connection: G1/8-F

Overall length: 20.7 mm

Fitting length: 14 mm

Nominal diameter dn: 4.1 mm