

# Bellows suction cup (rectangular)

<https://www.schmalz.com/10.01.06.02291>

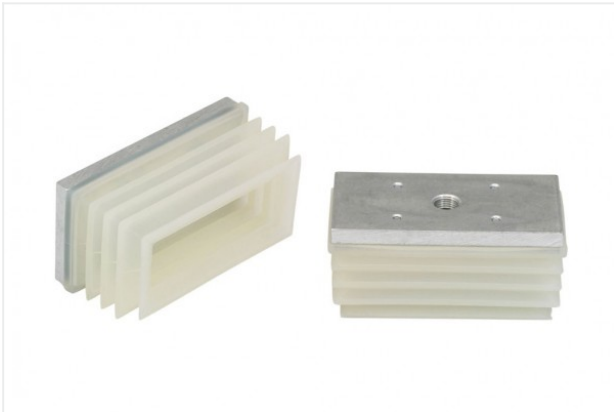


FSGB-R 80x40 SI-50 G1/8-IG

Part no.: 10.01.06.02291

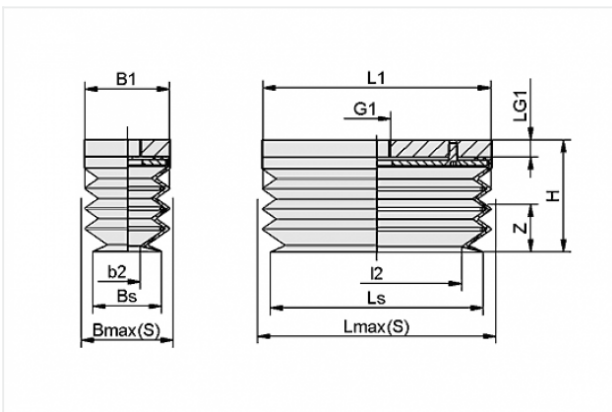
Homepage > Vacuum Technology for Automation > Vacuum Components > Vacuum Suction Cups > Suction Cups for Packaging > Bellows Suction Cups FSGB-R (Rectangular) > FSGB-R 80x40 SI-50 G1/8-IG

## Bellows suction cup (rectangular)



Dimensions (LxB): 80 x 40 mm  
Suction cup material: Silicone SI  
Material hardness: 50 °Sh  
Number of folds: 3.5  
Nipple material: Aluminium  
Vacuum connection: G1/8-F

## Design Data



Attribute	Value
b2	19 mm
B1	34 mm
Bmax(S)	44 mm
Bs	34 mm
G1	G1/8"-F
H	39 mm
l2	59 mm
L1	74 mm
LG1	6 mm
Lmax(S)	84 mm
Ls	74 mm
Z	12.5 mm

## Contact to Schmalz

J. Schmalz GmbH | Johannes-Schmalz-Straße, 72293 Glatten, Deutschland | +49 7443 2403-102 | [customercenter@schmalz.de](mailto:customercenter@schmalz.de)

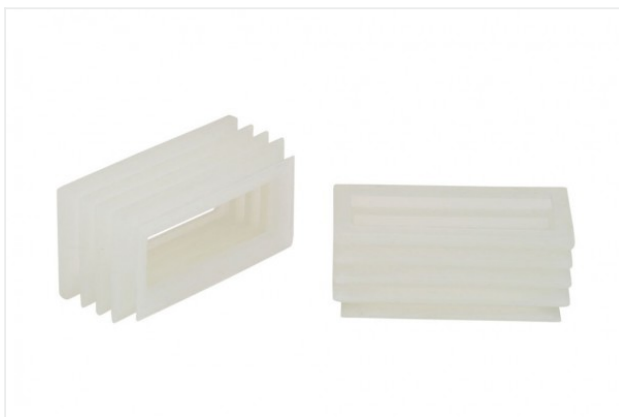
## Technical Data

Attribute	Value
Suction force	61 N
Volume	61 cm <sup>3</sup>
Curve radius (min) (convex)	15 mm
Internal hose diameter (recom.)	9 mm
Dimensions (LxB)	80 x 40 mm
Number of folds	3.5
Suction cup material	Silicone SI
Material hardness	50 °Sh
Weight	87 g
Product family	FSGB-R

### Note:

- Suction force: The specified suction forces are theoretical values at a vacuum of -0.6 bar and with a smooth, dry workpiece surface - they do not include a safety factor
- Hose diameter: The recommended hose diameter refers to a hose length of approx. 2 m

## Spare Parts



### **FGB-R 80x40 SI-50**

Part no. 10.01.06.01113

Bellows suction cup (rectangular)

Dimensions (LxB): 80 x 40 mm

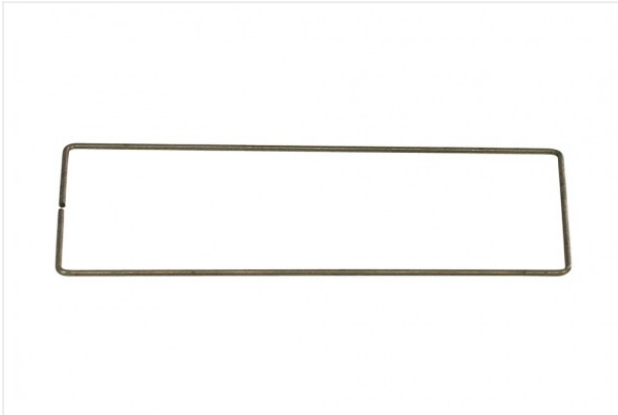
Suction cup material: Silicone SI

Material hardness: 50 °Sh

Number of folds: 3.5

### Contact to Schmalz

## Accessories



### **ST-RAHM 75x36 1**

Part no. 10.01.06.02279

Supporting frame

Length L: 75 mm

Width B: 36 mm

Diameter: 1 mm